

Grundfos Efficiency Upgrade Guide

URELL



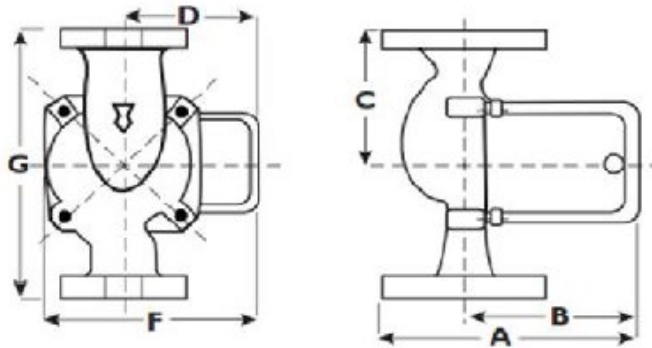
Table of Contents

Page #	Description
3	Taco 00 Pumps
5	Taco 1600 Pumps
7	Taco 1400/2400 Pumps
9	Taco 100 Pumps
11	Taco 00e Pumps
13	Taco Veridian Pumps
15	B&G 60 Pumps
17	B&G PL Pumps
19	B&G NRF Pumps
21	B&G 3-Piece Pumps
23	B&G Ecocirc XL Pumps
25	Wilo Stratos Pumps

URELL



TACO 00 Series to Grundfos Efficient Option



Industry Leading Technology
 Maintenance Free Wet-Rotor Construction
 Integrated Speed Control and Self-Sizing Logic
 High Efficiency ECM motor
 Whisper Quiet Operation

URELL



Additional Features:

Lifecycle Savings - Reduces Energy Consumption by up to 85%

Easy Installation - Pump "Right Sizes" for Most Applications

Maintenance Free - Reliable for Decades of Efficient Operation

In-Stock Locally - Standard Shelf Product

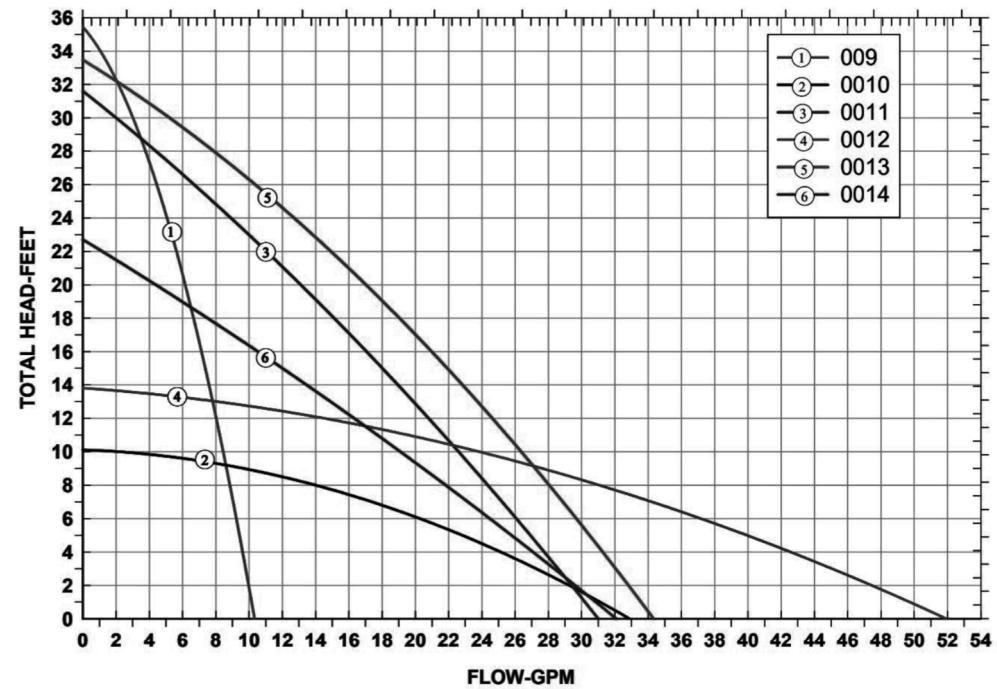
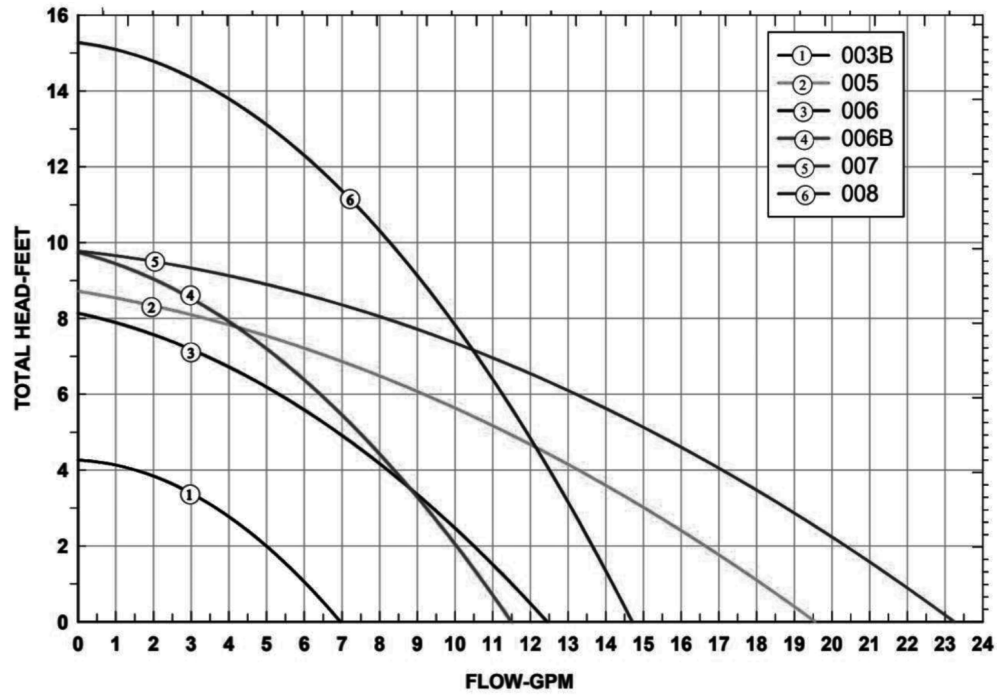
Compact - Makes Replacement Easy with a Spool Piece

Taco 00 Series						Grundfos				Grundfos crossover voltage options			
Model	Flange Size	Motor Power	Pump Dimensions			Alpha2 / MAGNA3 Model	GF Flange	Motor Power	Flange to Flange	Cast Iron		Stainless Steel	
			G	A	B					1x115V	1x230V	1x115V	1x230V
	in	HP						in	Material #	Material #	Material #	Material #	
003 sw	sweat	1/40	4 13/32	5 1/8	4 1/8	Alpha2 15-55 F	GF 15/26	1/16	6 1/2	99163903		99163937	
005	2 bolt	1/35	6 3/8	5 5/8	4	Alpha2 15-55 F	GF 15/26	1/16	6 1/2	99163903		99163937	
006 sw	sweat	1/40	4 13/32	5 1/8	4 1/8	Alpha2 15-55 F	GF 15/26	1/16	6 1/2	99163903		99163937	
006	2 bolt	1/40	6 3/8	6 1/4	4 3/8	Alpha2 15-55 F	GF 15/26	1/16	6 1/2	99163903		99163937	
007	2 bolt	1/25	6 3/8	6 3/8	4 1/2	Alpha2 15-55 F	GF 15/26	1/16	6 1/2	99163903		99163937	
008	2 bolt	1/25	6 3/8	6	4	Alpha2 15-55 F	GF 15/26	1/16	6 1/2	99163903		99163937	
009	2 bolt	1/8	6 3/8	7	5 11/16	Magna3 32-100 F	GF 15/26	1/6	6 1/2	98126824	98126824	98126826	98126826
010	2 bolt	1/8	6 3/8	7 1/4	5 5/16	Magna3 32-60 F	GF 15/26	1/8	6 1/2	98126820	98126820	98126822	98126822
011	2 bolt	1/8	6 1/2	7 1/2	6 1/8	Magna3 32-100 F	GF 15/26	1/6	6 1/2	98126824	98126824	98126826	98126826
012	2 bolt	1/8	8 1/2	8 5/8	6 3/8	Magna3 32-60 F	GF 15/26	1/8	6 1/2	98126820	98126820	98126822	98126822
013	2 bolt	1/6	6 1/2	7 1/2	6 1/8	Magna3 32-100 F	GF 15/26	1/6	6 1/2	98126824	98126824	98126826	98126826
014	2 bolt	1/8	6 1/2	7 1/4	5 13/16	Magna3 32-60 F	GF 15/26	1/8	6 1/2	98126820	98126820	98126822	98126822
015	2 bolt	1/20	6 3/8	6 1/2	4 5/8	Alpha2 15-55 F	GF 15/26	1/16	6 1/2	99163903		99163937	

TACO 00 Series



Taco 00 Series

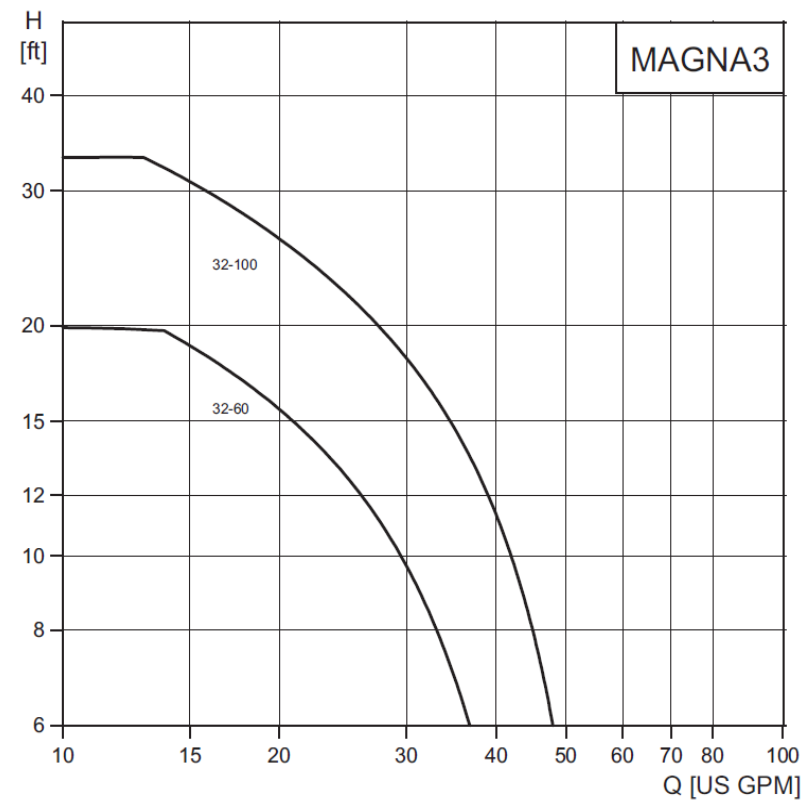
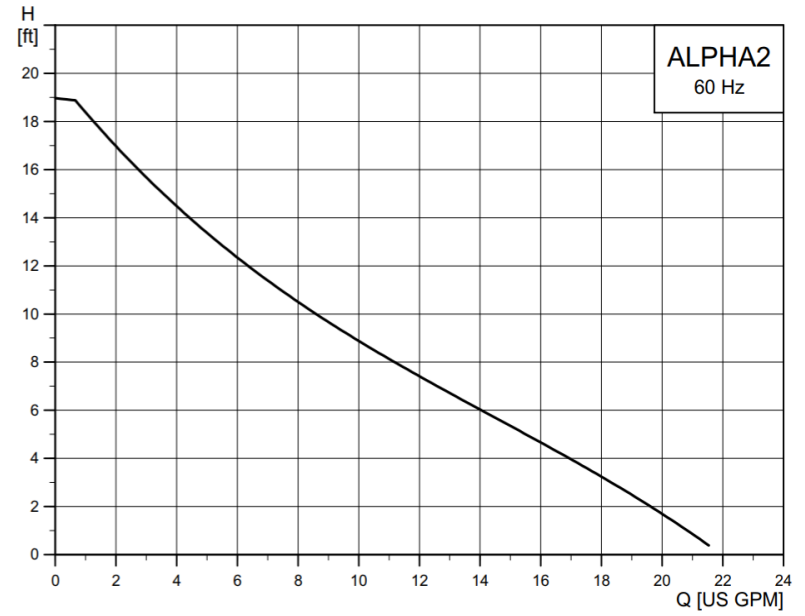


Grundfos Offering

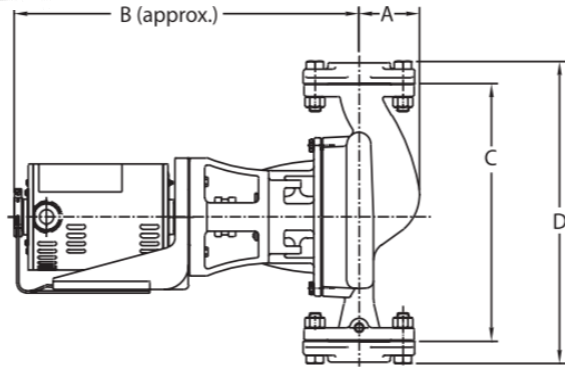
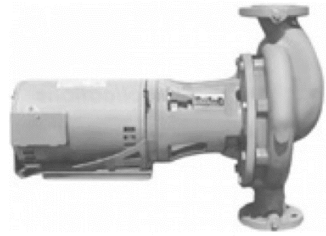


URELL

Grundfos



TACO 1600 Series to Grundfos Efficient Option



Industry Leading Technology
 Maintenance Free Wet-Rotor Construction
 Integrated Speed Control and Self-Sizing Logic
 Built-in motor protection and Start/Stop contact
 High Efficiency ECM motor
 Whisper Quiet Operation

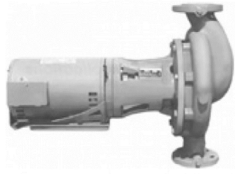


Additional Features:

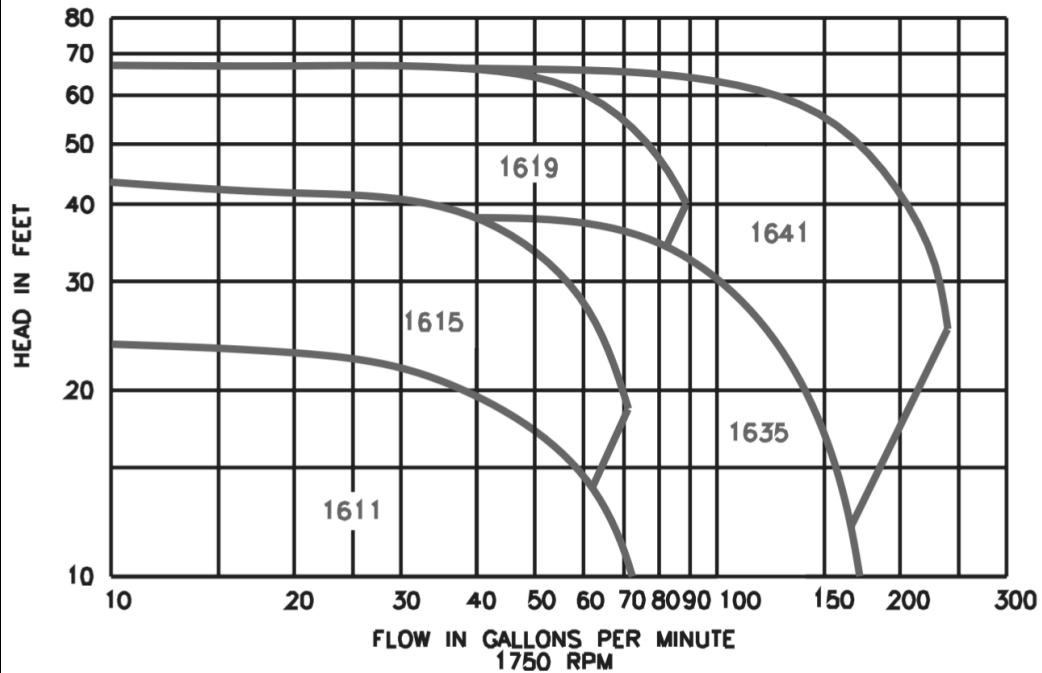
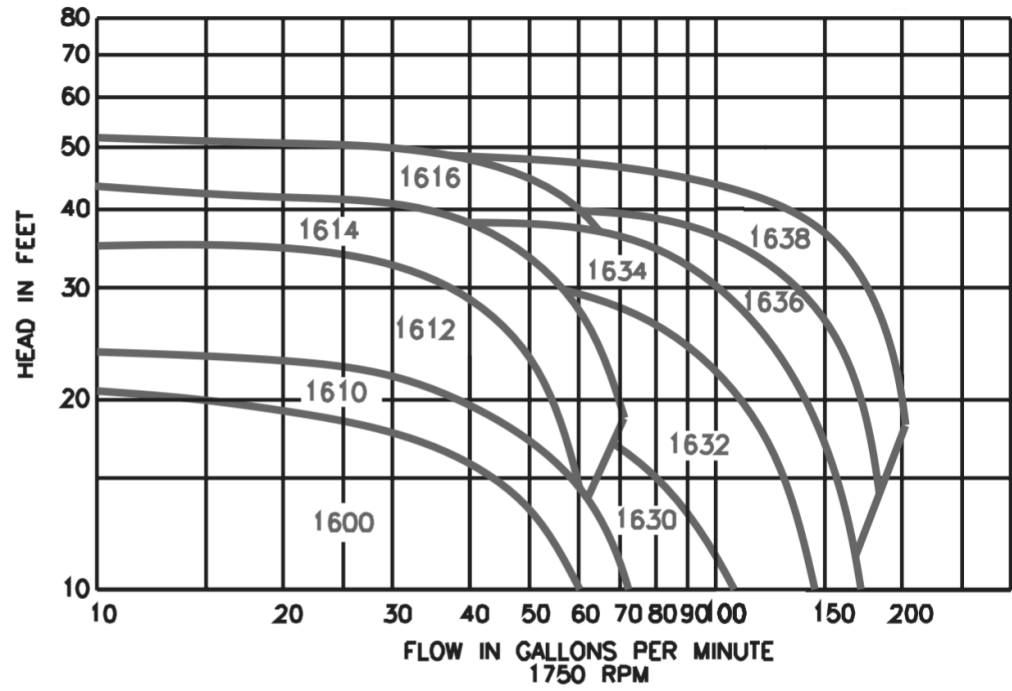
- Lifecycle Savings - Reduces Energy Consumption by up to 85%
- Easy Installation - Pump "Right Sizes" for Most Applications
- Maintenance Free - Reliable for Decades of Efficient Operation
- In-Stock Locally - Standard Shelf Product
- Compact - Makes Replacement Easy with a Spool Piece

Taco 1600 Series							Grundfos				Grundfos crossover voltage options			
Model	Impeller Diameter in	Flange Size in	Motor Power HP	Pump Dimensions			MAGNA3 Model	GF Flange Flange	Motor Power HP	Flange to Flange in	Cast Iron		Stainless Steel	
				A	B	C					1x115V Material #	1x230V Material #	1x115V Material #	1x230V Material #
1611	4	1 1/2	1/4	3	16	10 1/4	Magna3 40-80 F	GF 15/26 or 40/43	1/3	8 1/2	98126800	98126828	98126802	98126830
1611	4.25	1 1/2	1/3	3	16	10 1/4	Magna3 40-80 F	GF 15/26 or 40/43	1/3	8 1/2	98126800	98126828	98126802	98126830
1611	4.5	1 1/2	1/3	3	16	10 1/4	Magna3 40-80 F	GF 15/26 or 40/43	1/3	8 1/2	98126800	98126828	98126802	98126830
1611	4.75	1 1/2	1/2	3	17	10 1/4	Magna3 40-80 F	GF 15/26 or 40/43	1/3	8 1/2	98126800	98126828	98126802	98126830
1615	4.7	1 1/2	1/3	3 1/8	18	13 1/2	Magna3 40-80 F	GF 15/26 or 40/43	1/3	8 1/2	98126800	98126828	98126802	98126830
1615	5.3	1 1/2	1/2	3 1/8	18 1/2	13 1/2	Magna3 40-120 F	GF 15/26 or 40/43	1/2	8 1/2	98126804	98126832	98126806	98126834
1615	5.75	1 1/2	3/4	3 1/8	19	13 1/2	Magna3 40-120 F	GF 15/26 or 40/43	1/2	8 1/2	98126804	98126832	98126806	98126834
1615	6.35	1 1/2	1	3 1/8	19 1/2	13 1/2	Magna3 40-180 F	GF 15/26 or 40/43	3/4	8 1/2	98126808	98126836	98126810	98126838
1619	6.2	2	3/4	3	18 1/2	14 1/2	Magna3 40-120 F	GF 15/26 or 40/43	1/2	8 1/2	98126804	98126832	98126806	98126834
1619	6.6	2	1	3	19	14 1/2	Magna3 40-180 F	GF 15/26 or 40/43	3/4	8 1/2	98126808	98126836	98126810	98126838
1619	7.1	2	1 1/2	3	21	14 1/2	Magna3 40-180 F	GF 15/26 or 40/43	3/4	8 1/2	98126808	98126836	98126810	98126838
1635	4.1	2	1/2	3 1/2	18	13 1/2	Magna3 40-80 F	GF 15/26 or 40/43	1/3	8 1/2	98126800	98126828	98126802	98126830
1635	4.9	2	3/4	3 1/2	18 1/2	13 1/2	Magna3 50-80 F	GF 53	1/3	9 1/2	98126812	98126840	98126814	98126842
1635	5.65	2	1	3 1/2	19	13 1/2	Magna3 50-150 F	GF 53	3/4	11	98126816	68126844	98126818	98126846
1635	6.15	2	1 1/2	3 1/2	21	13 1/2	Magna3 65-120 F	GF 53 or 65	1	13 3/8	98124696	98126848	98124702	98126850
1641	5.9	2	1 1/2	3 5/8	21	16 1/2	Magna3 65-120 F	GF 53 or 65	1	13 3/8	98124696	98126848	98124702	98126850
1641	6.4	2	2	3 5/8	23	16 1/2	Magna3 65-150 F	GF 65	1 1/2	13 3/8		98126852		98126854
1641	6.9	2	3	3 5/8	24	16 1/2	Magna3 65-150 F	GF 65	1 1/2	13 3/8		98126852		98126854
Standard Models														
1600	4.5	1 1/2	1/4	3	16	10 1/4	Magna3 40-80 F	GF 15/26 or 40/43	1/3	8 1/2	98126800	98126828	98126802	98126830
1610	4.75	1 1/2	1/3	3	16	10 1/4	Magna3 40-80 F	GF 15/26 or 40/43	1/3	8 1/2	98126800	98126828	98126802	98126830
1612	5.75	1 1/2	1/2	3 1/8	18 1/2	13 1/2	Magna3 40-120 F	GF 15/26 or 40/43	1/2	8 1/2	98126804	98126832	98126806	98126834
1614	6.35	1 1/2	3/4	3 1/8	19	13 1/2	Magna3 40-180 F	GF 15/26 or 40/43	3/4	8 1/2	98126808	98126836	98126810	98126838
1616	7.1	2	1	3	19	14 1/2	Magna3 40-180 F	GF 15/26 or 40/43	3/4	8 1/2	98126808	98126836	98126810	98126838
1630	4.9	2	1/2	3 1/2	18	13 1/2	Magna3 50-80 F	GF 53	1/3	9 1/2	98126812	98126840	98126814	98126842
1632	5.65	2	3/4	3 1/2	18 1/2	13 1/2	Magna3 50-150 F	GF 53	3/4	11	98126816	68126844	98126818	98126846
1634	6.15	2	1	3 1/2	19	13 1/2	Magna3 65-120 F	GF 53 or 65	1	13 3/8	98124696	98126848	98124702	98126850
1636	6.4	2	1 1/2	3 5/8	21	16 1/2	Magna3 65-150 F	GF 65	1 1/2	13 3/8		98126852		98126854
1638	6.9	2	2	3 5/8	23	16 1/2	Magna3 65-150 F	GF 65	1 1/2	13 3/8		98126852		98126854

TACO 1600 Series



Taco 1600 Series

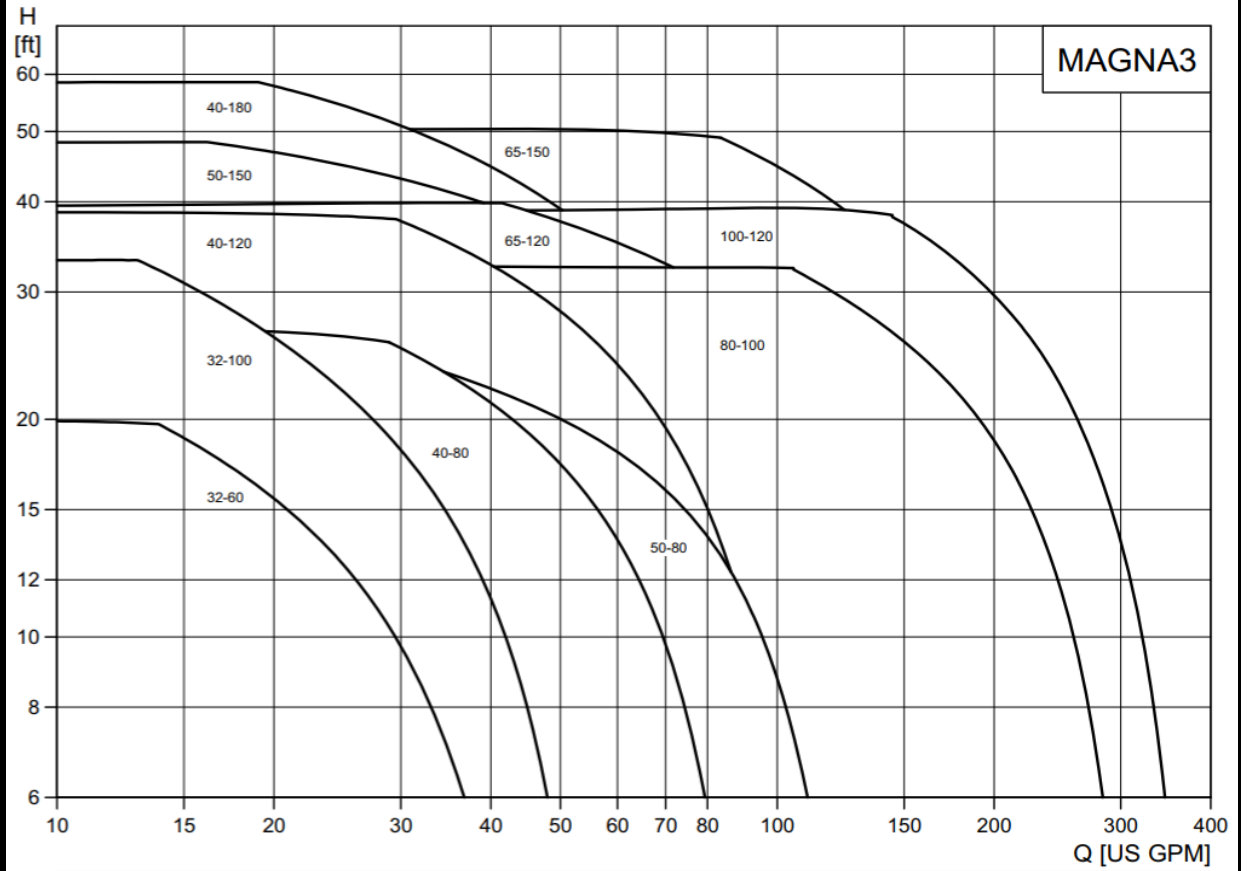


Grundfos Offering

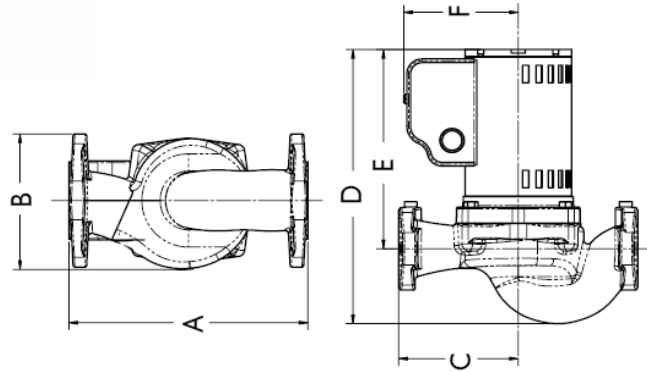


URELL

Grundfos



TACO 1400/2400 Series to Grundfos Efficient Option



Industry Leading Technology
 Maintenance Free Wet-Rotor Construction
 Integrated Speed Control and Self-Sizing Logic
 Built-in motor protection and Start/Stop contact
 High Efficiency ECM motor
 Whisper Quiet Operation



Additional Features:

- Lifecycle Savings - Reduces Energy Consumption by up to 85%
- Easy Installation - Pump "Right Sizes" for Most Applications
- Maintenance Free - Reliable for Decades of Efficient Operation
- In-Stock Locally - Standard Shelf Product
- Compact - Makes Replacement Easy with a Spool Piece

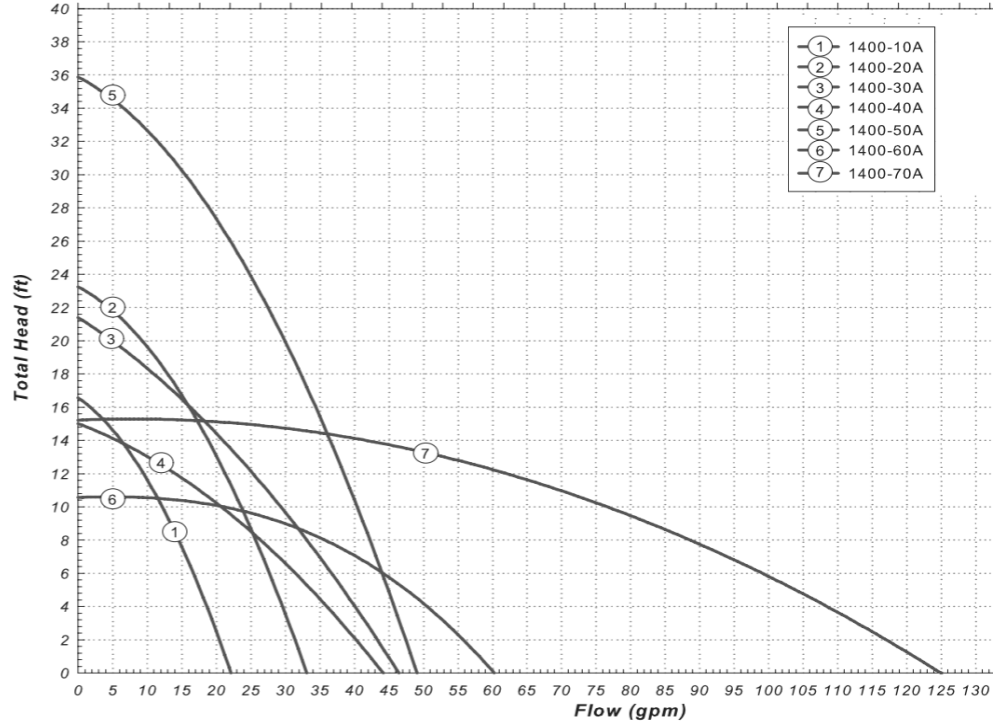
Taco 1400 & 2400 Series						Grundfos				Grundfos crossover voltage options			
Model	Flange Size in	Motor Power HP	Pump Dimensions			MAGNA3 Model	GF Flange Flange	Motor Power HP	Flange to Flange in	Cast Iron		Stainless Steel	
			A	D	E					1x115V Material #	1x230V Material #	1x115V Material #	1x230V Material #
1400-10	2-Bolt	1/10	6 3/8	8 3/16	6 3/8	Magna3 32-60 F	GF 15/26	1/8	6 1/2	98126820	98126820	98126822	98126822
1400-20	2-Bolt	1/6	6 3/8	8 5/8	6 7/8	Magna3 32-100 F	GF 15/26	1/6	6 1/2	98126824	98126824	98126826	98126826
1400-30	2-Bolt	1/6	8 1/2	9 3/4	7 1/8	Magna3 32-100 F	GF 15/26	1/6	6 1/2	98126824	98126824	98126826	98126826
1400-40	2-Bolt	1/6	8 1/2	9 3/4	7 1/8	Magna3 32-60 F	GF 15/26	1/8	6 1/2	98126820	98126820	98126822	98126822
1400-45	2-Bolt	1/3	6 3/8	10 1/4	8 1/2	Magna3 40-120 F	GF 15/26 or 40/43	1/2	8 1/2	98126804	98126832	98126806	98126834
1400-50	2-Bolt	1/2	6 3/8	10 1/4	8 1/2	Magna3 40-180 F	GF 15/26 or 40/43	3/4	8 1/2	98126808	98126836	98126810	98126838
1400-50/2	2" 2-Bolt	1/2	6 3/8	10 1/4	8 1/2	Magna3 40-180 F	GF 15/26 or 40/43	3/4	8 1/2	98126808	98126836	98126810	98126838
1400-60	2" 2-Bolt	1/6	8 1/2	9 3/4	7 1/8	Magna3 40-80 F	GF 15/26 or 40/43	1/3	8 1/2	98126800	98126828	98126802	98126830
1400-65	2" 2-Bolt	1/3	8 1/2	11 1/4	8 3/4	Magna3 50-80 F	GF 53	1/3	9 1/2	98126812	98126840	98126814	98126842
1400-70	2" 2-Bolt	1/2	8 1/2	11 1/4	8 3/4	Magna3 50-150 F	GF 53	3/4	11	98126816	68126844	98126818	98126846
1400-70/3	3" 4-Bolt	1/2	8 1/2	12	8 3/4	Magna3 50-150 F	GF 53	3/4	11	98126816	68126844	98126818	98126846
2400-10	2-Bolt	1/10	6 3/8	6 7/8	5	Magna3 32-100 F	GF 15/26	1/8	6 1/2	98126820	98126820	98126822	98126822
2400-20	2-Bolt	1/6	6 3/8	6 7/8	5	Magna3 32-100 F	GF 15/26	1/6	6 1/2	98126824	98126824	98126826	98126826
2400-30	2-Bolt	1/6	8 1/2	8	5 1/4	Magna3 32-100 F	GF 15/26	1/6	6 1/2	98126824	98126824	98126826	98126826
2400-40	2-Bolt	1/6	8 1/2	8	5 1/4	Magna3 32-100 F	GF 15/26	1/8	6 1/2	98126820	98126820	98126822	98126822
2400-45	2-Bolt	1/3	6 3/8	8 3/4	6 7/8	Magna3 40-120 F	GF 15/26 or 40/43	1/2	8 1/2	98126804	98126832	98126806	98126834
2400-50	2-Bolt	1/2	6 3/8	8 3/4	6 7/8	Magna3 40-180 F	GF 15/26 or 40/43	3/4	8 1/2	98126808	98126836	98126810	98126838
2400-50/2	2" 2-Bolt	1/2	6 3/8	8 3/4	6 7/8	Magna3 40-180 F	GF 15/26 or 40/43	3/4	8 1/2	98126808	98126836	98126810	98126838
2400-60	2" 2-Bolt	1/6	8 1/2	7 7/8	5 1/4	Magna3 40-80 F	GF 15/26 or 40/43	1/3	8 1/2	98126800	98126828	98126802	98126830
2400-65	2" 2-Bolt	1/3	8 1/2	9 7/8	7 1/4	Magna3 50-80 F	GF 53	1/3	9 1/2	98126812	98126840	98126814	98126842
2400-70	2" 2-Bolt	1/2	8 1/2	9 7/8	7 1/4	Magna3 50-150 F	GF 53	3/4	11	98126816	68126844	98126818	98126846
2400-70/3	3" 4-Bolt	1/2	8 1/2	10 1/2	7 1/4	Magna3 50-150 F	GF 53	3/4	11	98126816	68126844	98126818	98126846

TACO 1400/2400 Series

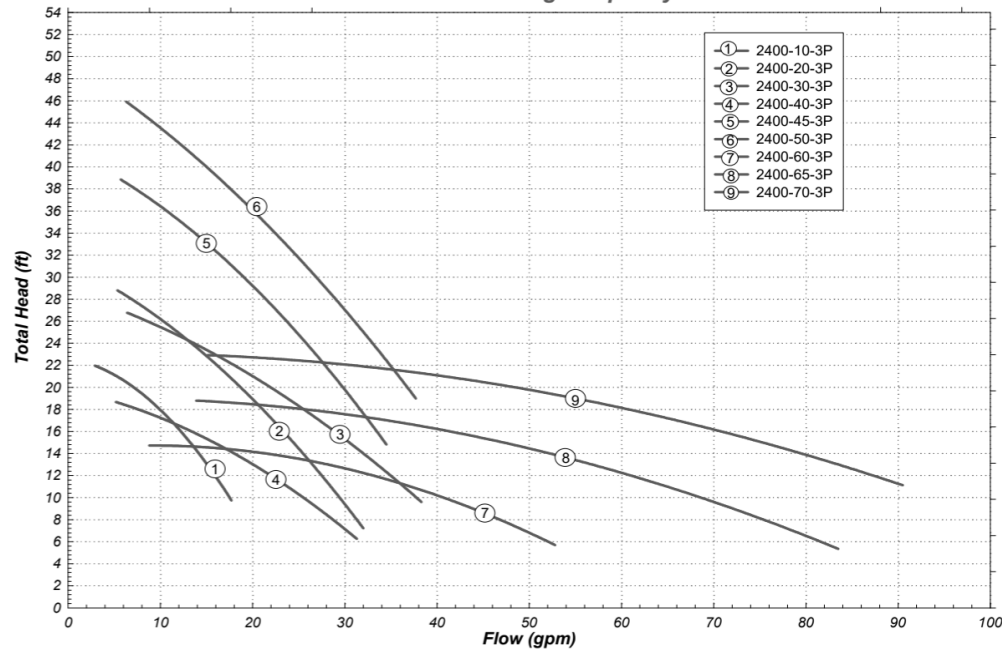


Taco 1400/2400 Series

1400 Series - High Capacity Circulators



2400 Series - High Capacity Circulators

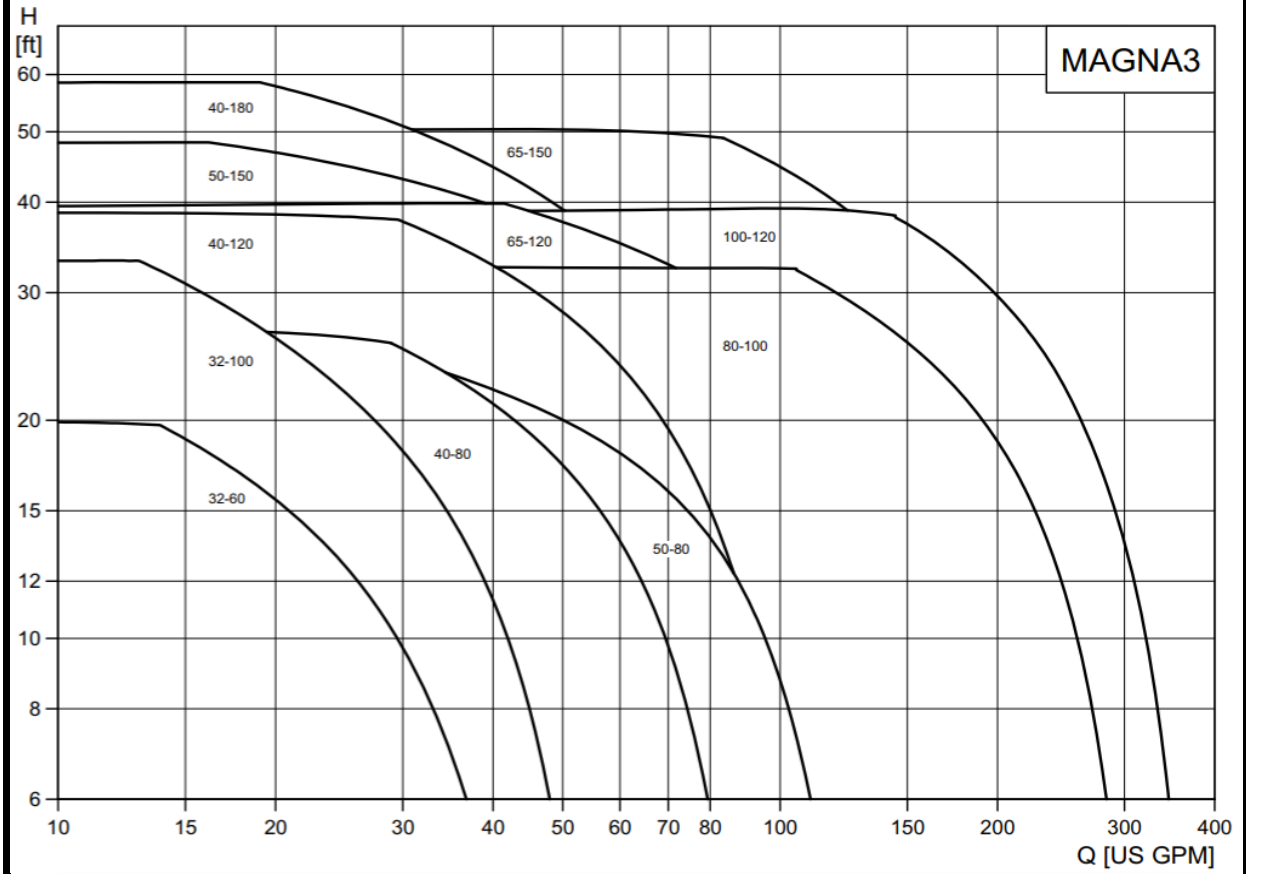


Grundfos Offering

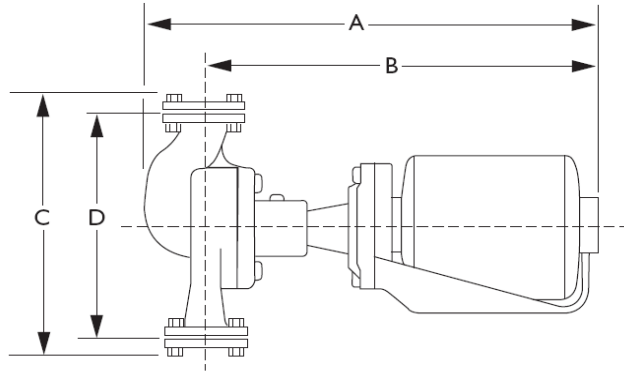


URELL

Grundfos



TACO 100 Series to Grundfos Efficient Option



Industry Leading Technology
 Maintenance Free Wet-Rotor Construction
 Integrated Speed Control and Self-Sizing Logic
 Built-in motor protection and Start/Stop contact
 High Efficiency ECM motor
 Whisper Quiet Operation



Additional Features:

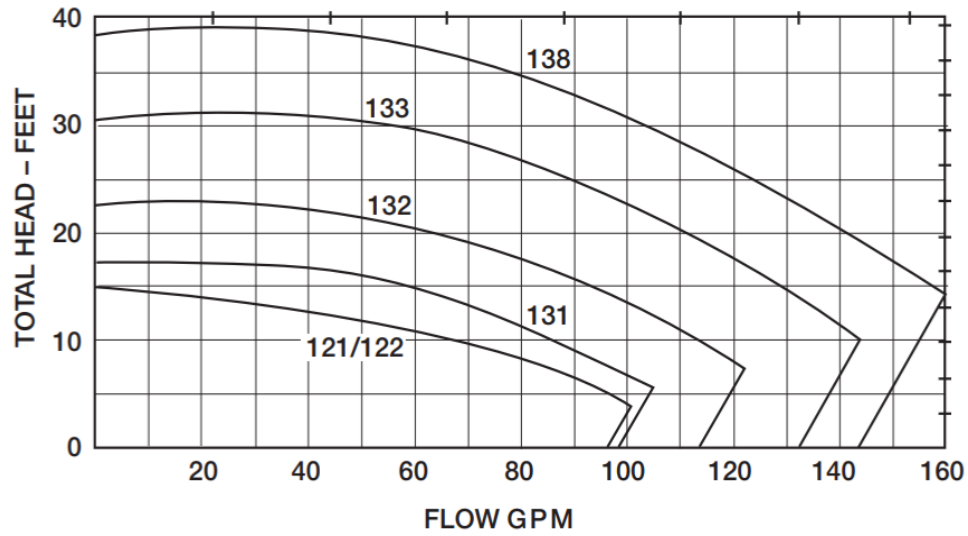
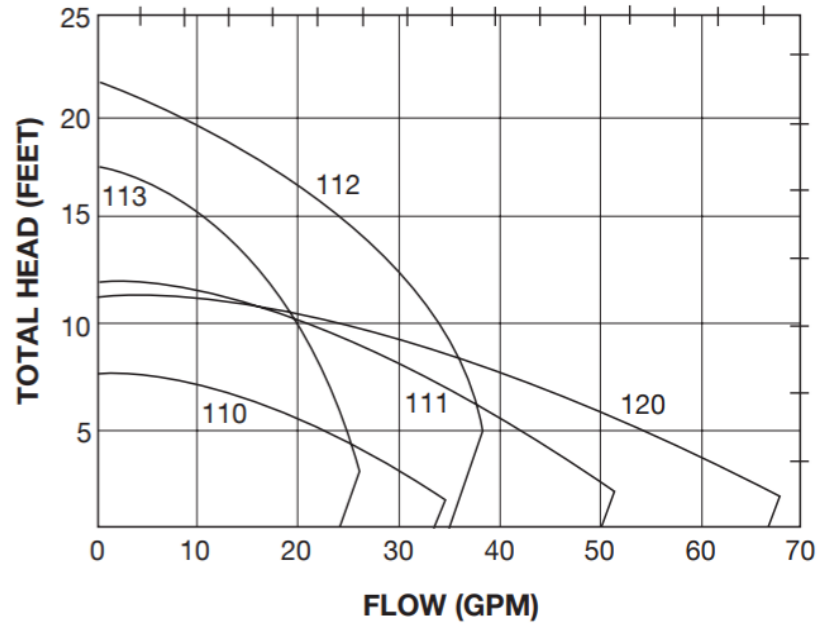
- Lifecycle Savings - Reduces Energy Consumption by up to 85%
- Easy Installation - Pump "Right Sizes" for Most Applications
- Maintenance Free - Reliable for Decades of Efficient Operation
- In-Stock Locally - Standard Shelf Product
- Compact - Makes Replacement Easy with a Spool Piece

Taco 100 Series						Grundfos				Grundfos crossover voltage options			
Model	Flange Size in	Motor Power HP	Pump Dimensions			MAGNA3 Model	GF Flange Flange	Motor Power HP	Flange to Flange in	Cast Iron		Stainless Steel	
			A	B	D					1x115V Material #	1x230V Material #	1x115V Material #	1x230V Material #
110	1 1/4	1/12	14 5/8	12 5/8	7 7/8	Magna3 32-60 F	GF 15/26	1/8	6 1/2	98126820	98126820	98126822	98126822
111	1 1/4	1/8	16 1/4	13 7/8	10 1/4	Magna3 32-100 F	GF 15/26	1/6	6 1/2	98126824	98126824	98126826	98126826
112	1 1/4	1/3	16 1/2	14 1/2	7 7/8	Magna3 32-100 F	GF 15/26	1/6	6 1/2	98126824	98126824	98126826	98126826
113	1 1/4	1/8	16 1/4	14	10 1/8	Magna3 32-60 F	GF 15/26	1/8	6 1/2	98126820	98126820	98126822	98126822
120	2	1/6	16 7/8	14 1/4	13 1/2	Magna3 32-100 F	GF 15/26	1/6	6 1/2	98126824	98126824	98126826	98126826
121	2 1/2	1/4	18 1/8	15 7/8	11 1/8	Magna3 50-80 F	GF 53	1/3	9 1/2	98126812	98126840	98126814	98126842
122	3	1/4	18 1/8	15 7/8	11 1/8	Magna3 50-80 F	GF 53	1/3	9 1/2	98126812	98126840	98126814	98126842
131	3	1/3	19 1/4	15 3/4	13 5/8	Magna3 50-80 F	GF 53	1/3	9 1/2	98126812	98126840	98126814	98126842
132	3	1/2	21 1/2	18	13 5/8	Magna3 50-150 F	GF 53	3/4	11	98126816	68126844	98126818	98126846
133	3	3/4	22 1/8	18 5/8	13 5/8	Magna3 65-120 F	GF 53	1	13 7/16	98124696	98126848	98124702	98126850
138	3	1	22 5/8	19 1/8	13 5/8	Magna3 65-150 F	GF 53	1 1/2	13 7/16		98126852		98126854

TACO 100 Series



Taco 100 Series

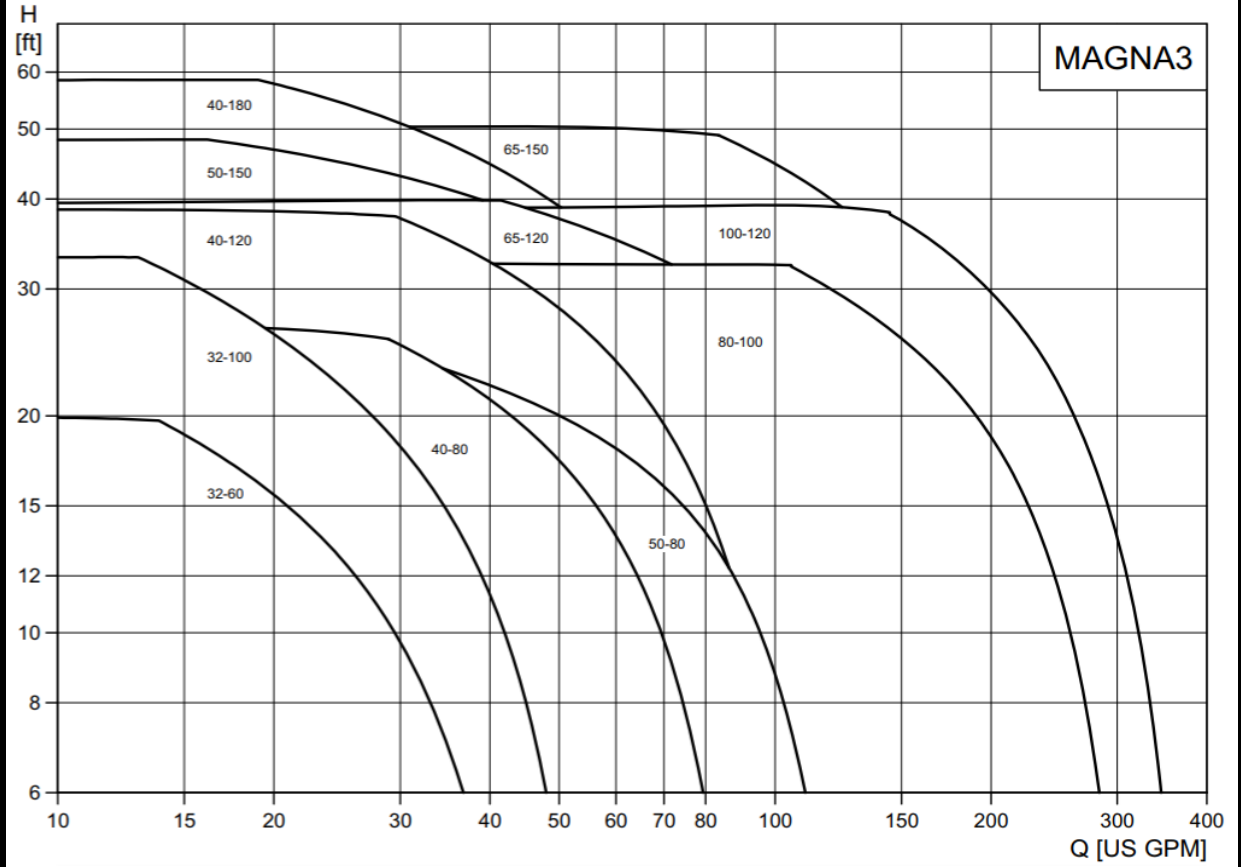


Grundfos Offering

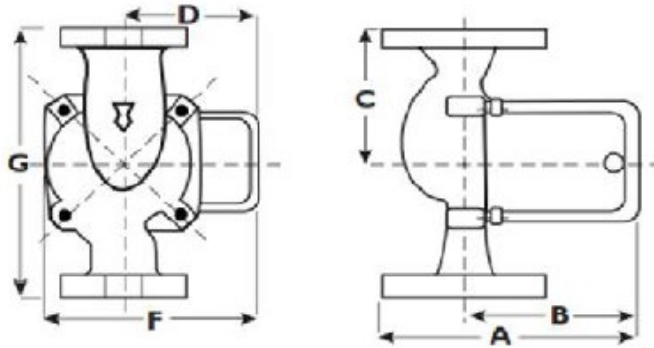


URELL

Grundfos



TACO 00e Series to Grundfos Efficient Option



Industry Leading Technology
 Maintenance Free Wet-Rotor Construction
 Integrated Speed Control and Self-Sizing Logic
 High Efficiency ECM motor
 Whisper Quiet Operation



Additional Features:

Lifecycle Savings - Reduces Energy Consumption by up to 85%

Easy Installation - Pump "Right Sizes" for Most Applications

Maintenance Free - Reliable for Decades of Efficient Operation

In-Stock Locally - Standard Shelf Product

Compact - Makes Replacement Easy with a Spool Piece

Taco 00e Series						Grundfos				Grundfos crossover voltage options			
Model	Flange Size in	Motor Power HP	Pump Dimensions			Alpha1 Model	GF Flange Flange	Motor Power HP	Flange to Flange in	Cast Iron		Stainless Steel	
			G	A	B					1x115V Material #	1x230V Material #	1x115V Material #	1x230V Material #
007e	2 bolt	1/16	6 3/8	6	4 1/8	Alpha1 15-55 F	GF 15/26	1/16	6 1/2	99287256		99287262	
0015e	2 bolt	1/16	6 3/8	6	4 1/8	Alpha1 15-55 F	GF 15/26	1/16	6 1/2	99287256		99287262	

TACO 00e Series



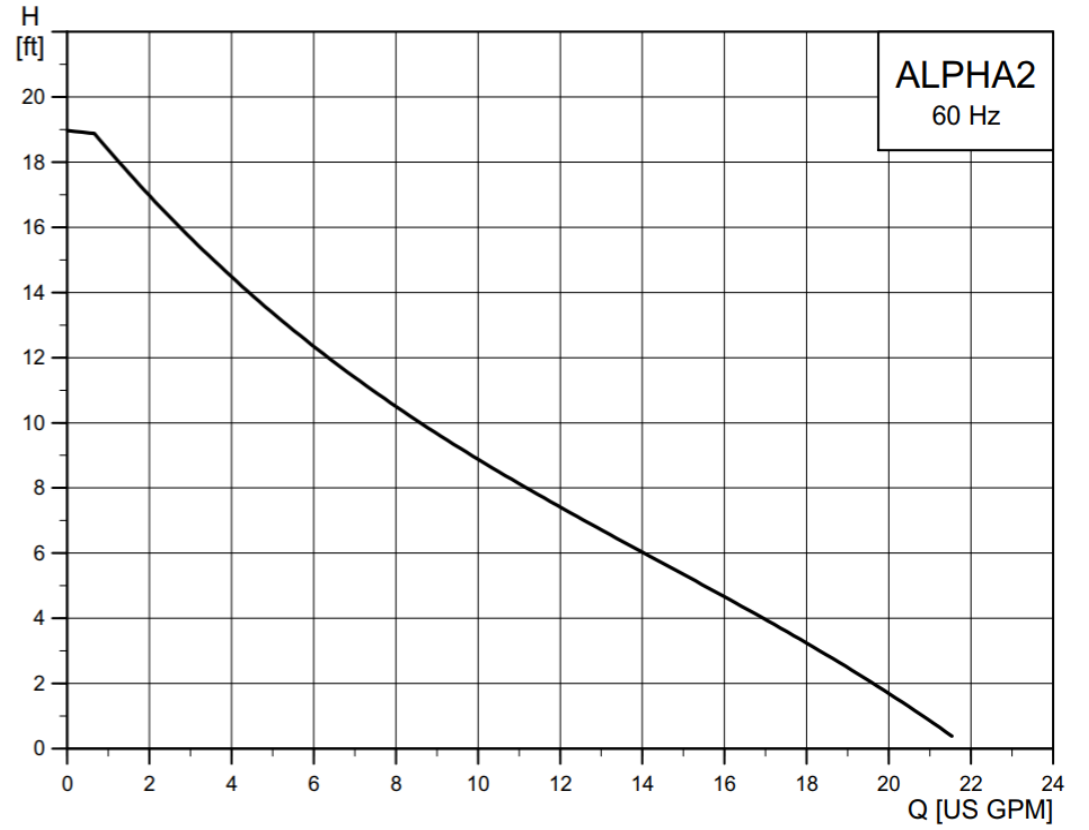
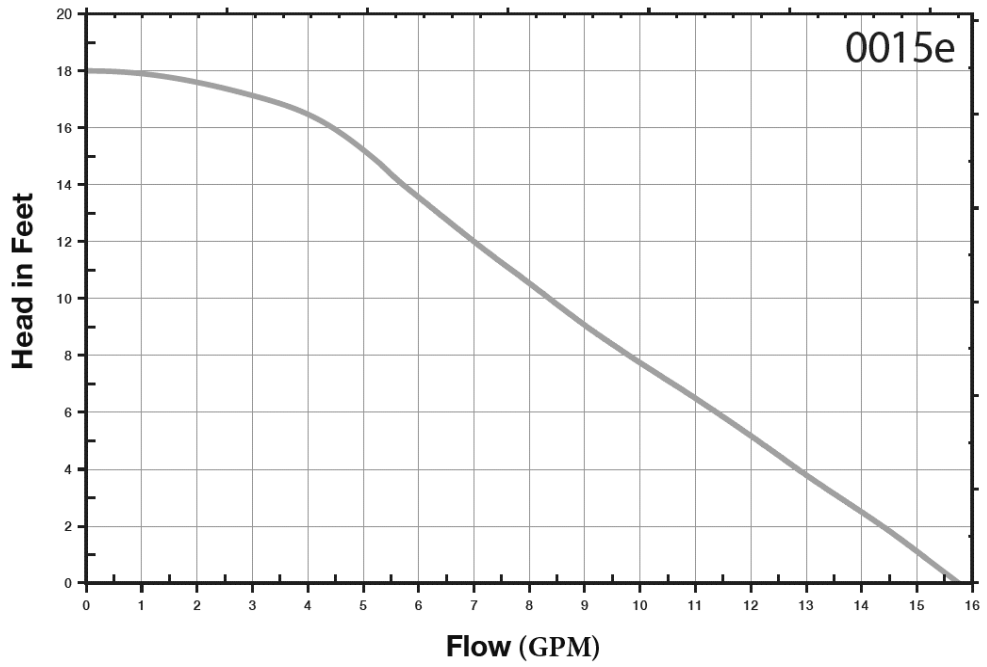
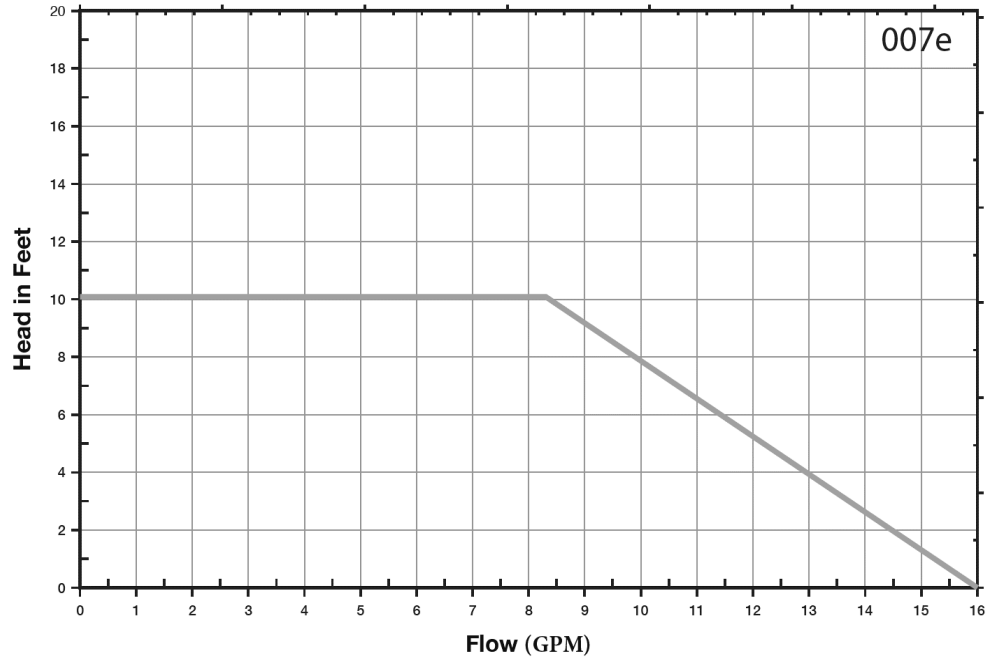
Grundfos Offering



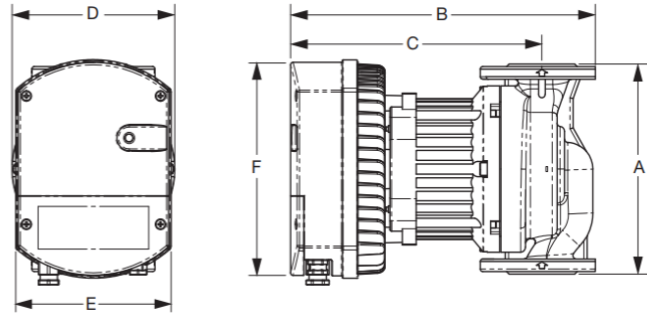
URELL

Taco 00e Series

Grundfos



TACO Veridian Series to Grundfos Efficient Option



Industry Leading Technology
 Maintenance Free Wet-Rotor Construction
 Integrated Speed Control and Self-Sizing Logic
 Built-in motor protection and Start/Stop contact
 High Efficiency ECM motor
 Whisper Quiet Operation

URELL

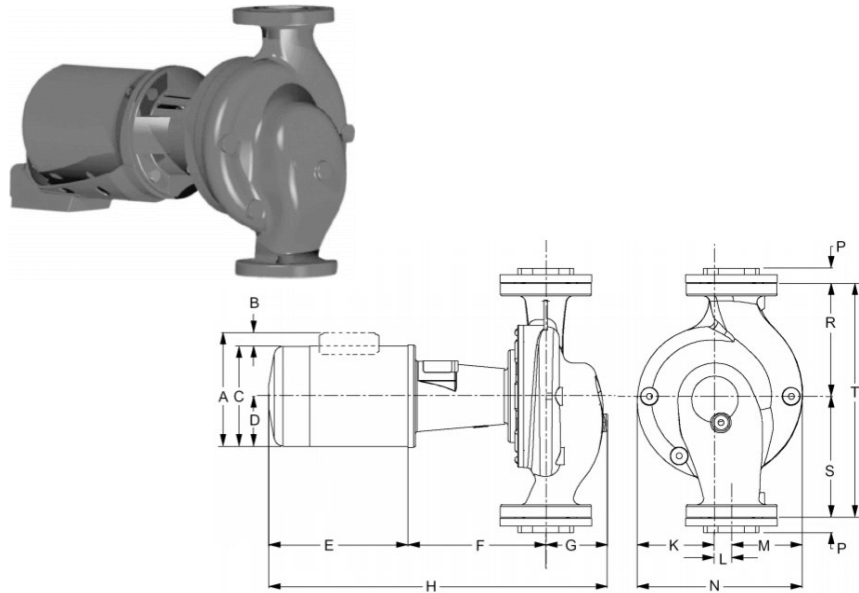


Additional Features:

- Lifecycle Savings - Reduces Energy Consumption by up to 85%
- Easy Installation - Pump "Right Sizes" for Most Applications
- Maintenance Free - Reliable for Decades of Efficient Operation
- In-Stock Locally - Standard Shelf Product
- Compact - Makes Replacement Easy with a Spool Piece

Taco Veridian Series						Grundfos				Grundfos crossover voltage options			
Model	Flange Size in	Motor Power HP	Pump Dimensions			MAGNA3 Model	GF Flange Flange	Motor Power HP	Flange to Flange in	Cast Iron		Stainless Steel	
			A	B	F					1x115V Material #	1x230V Material #	1x115V Material #	1x230V Material #
VR3452	1 1/2	1/4	6 3/8	9 3/4	4 5/8	Magna3 32-100 F	GF 15/26	1/6	6 1/2	98126824	98126824	98126826	98126826
VR15-3	1 1/2	3/4	9 13/16	15 3/16	10 1/16	Magna3 40-120 F	GF 15/26 or 40/43	1/2	8 1/2	98126804	98126832	98126806	98126834
VR20-3	2	1	11	16 3/4	10 1/16	Magna3 50-150 F	GF 53	3/4	11	98126816	68126844	98126818	98126846
VR25-3	2 1/2	1 1/2	13 3/8	17 11/16	10 1/16	Magna3 80-100 F	GF 80	1 1/2	14 9/53		98126856		98126858
VR30-3	3	2 1/2	14 3/16	19 13/16	10 1/16	Magna3 100-120 F	GF 100	2	17 18/25		98126860		98126862

Standard B&G 60 Series to Grundfos Efficient Option



Industry Leading Technology
 Integrated Speed Control and Self-Sizing Logic
 Built-in motor protection and Start/Stop contact
 High Efficiency ECM motor
 Whisper Quiet Operation



Additional Features:

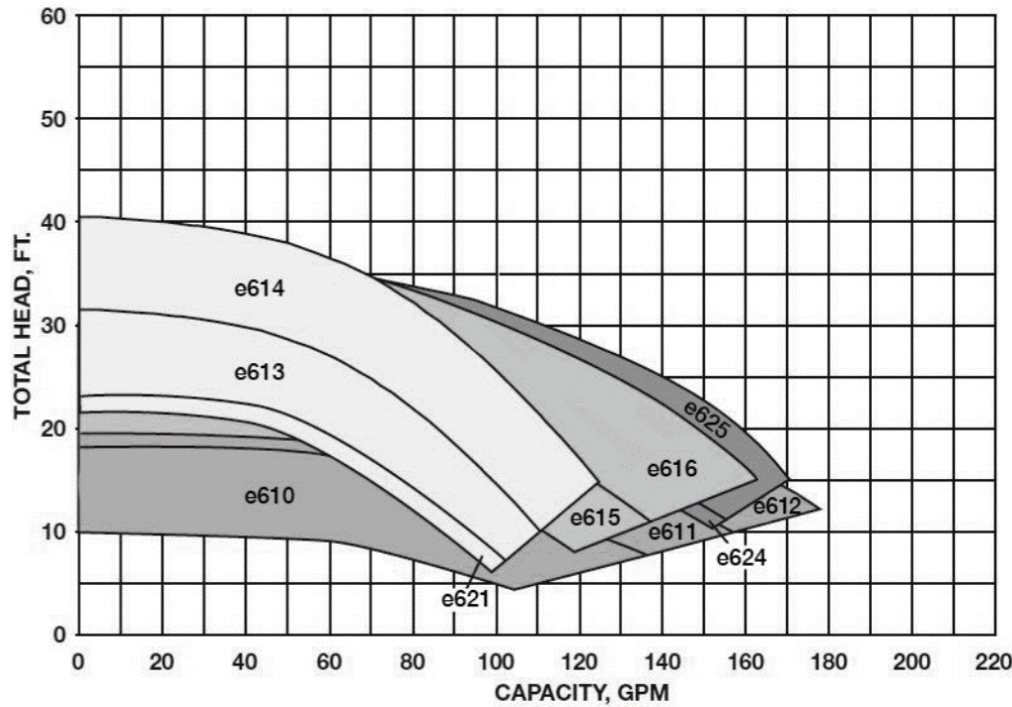
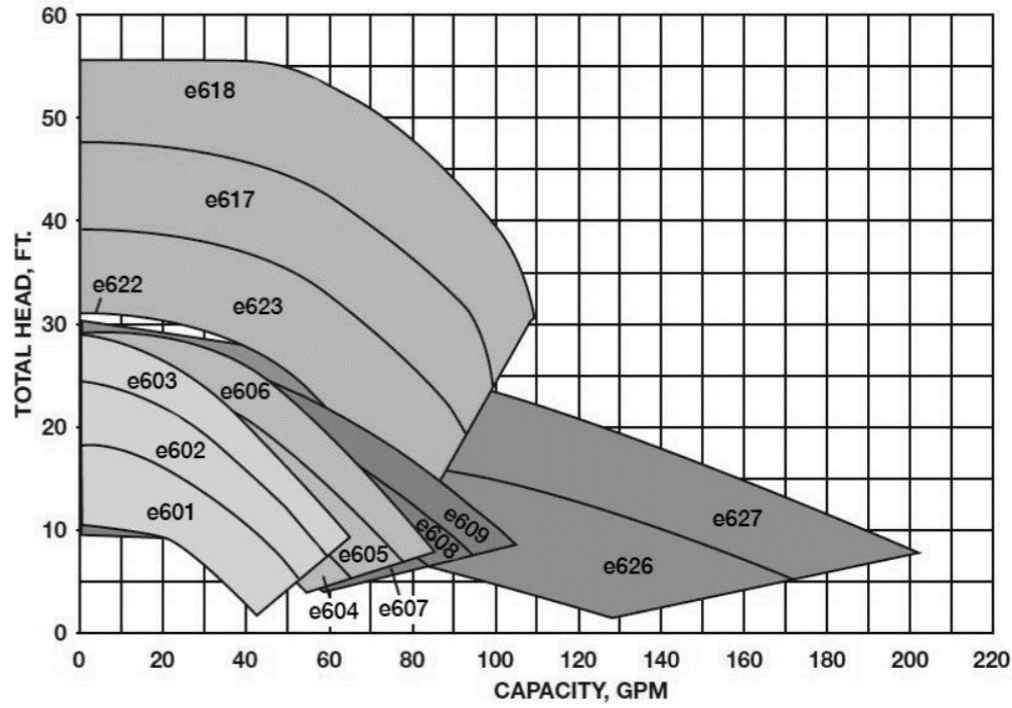
- Lifecycle Savings - Reduces Energy Consumption by up to 85%
- Easy Installation - Pump "Right Sizes" for Most Applications
- Low Maintenance - Reliable for Decades of Efficient Operation
- In-Stock Locally - Standard Shelf Product
- Compact - Makes Replacement Easy with a Spool Piece

B&G 60 Series								Grundfos				Grundfos crossover voltage options			
												Cast Iron		Stainless Steel	
Model	Size	Impeller Diameter in	Flange Size in	Motor Power HP	Pump Dimensions			MAGNA3 / TPE3 Model	GF Flange Flange	Motor Power HP	Flange to Flange in	1x115V Material #	1x230V Material #	1x115V Material #	1x230V Material #
					H	E	T								
601	1x5.25	4.375	1	1/4	19 7/8	10	11	Magna3 32-100 F	GF 15/26	1/6	6 1/2	98126824	98126824	98126826	98126826
602	1x5.25	4.84	1	1/3	19 7/8	10	11	Magna3 40-80 F	GF 15/26 or 40/43	1/3	8 1/2	98126800	98126828	98126802	98126830
603	1x5.25	5.25	1	1/2	21 1/8	11	11	Magna3 40-120 F	GF 15/26 or 40/43	1/2	8 1/2	98126804	98126832	98126806	98126834
604	1.25x5.25	4.38	1 1/4	1/4	19 7/8	10	11	Magna3 40-80 F	GF 15/26 or 40/43	1/3	8 1/2	98126800	98126828	98126802	98126830
605	1.25x5.25	4.84	1 1/4	1/3	19 7/8	10	11	Magna3 40-80 F	GF 15/26 or 40/43	1/3	8 1/2	98126800	98126828	98126802	98126830
606	1.25x5.25	5.25	1 1/4	1/2	21 1/8	11	11	Magna3 40-120 F	GF 15/26 or 40/43	1/2	8 1/2	98126804	98126832	98126806	98126834
607	1.5x5.25	3.75	1 1/2	1/4	20 3/16	10	11 1/2	Magna3 40-80 F	GF 15/26 or 40/43	1/3	8 1/2	98126800	98126828	98126802	98126830
607	1.5x5.25	4.38	1 1/2	1/3	20 7/16	10	11 1/2	Magna3 50-80 F	GF 53	1/3	9 1/2	98126812	98126840	98126814	98126842
608	1.5x5.25	4.94	1 1/2	1/2	20 7/16	11	11 1/2	Magna3 50-80 F	GF 53	1/3	9 1/2	98126812	98126840	98126814	98126842
609	1.5x5.25	5.25	1 1/2	3/4	20 7/16	11	11 1/2	Magna3 50-150 F	GF 53	3/4	11	98126816	68126844	98126818	98126846
610	2x5.25	3.25	2	1/3	20 11/16	10	11 1/2	Magna3 50-80 F	GF 53	1/3	9 1/2	98126812	98126840	98126814	98126842
610	2x5.25	4.12	2	1/2	21 11/16	11	11 1/2	Magna3 50-150 F	GF 53	3/4	11	98126816	68126844	98126818	98126846
611	2x5.25	4.75	2	3/4	21 11/16	11	11 1/2	Magna3 50-150 F	GF 53	3/4	11	98126816	68126844	98126818	98126846
612	2X5.25	5.25	2	1	23 5/8	11	11 1/2	Magna3 65-120 F	GF 53	1	13 7/16	98124696	98126848	98124702	98126850
613	1.5X6.25	5.75	1 1/2	3/4	21 5/16	11	13 1/2	Magna3 50-150 F	GF 53	3/4	11	98126816	68126844	98126818	98126846
614	1.5X6.25	6.25	1 1/2	1	21 5/16	11	13 1/2	Magna3 65-150 F	GF 65	1 1/2	13 7/16		98126852		98126854
615	2X6.25	5.62	2	1/2 or 3/4	21 7/16	11	13 1/2	Magna3 50-150 F	GF 53	3/4	11	98126816	68126844	98126818	98126846
616	2X6.25	6.22	2	1	21 7/16	9 3/4	13 1/2	Magna3 65-120 F	GF 53	1	13 7/16	98124696	98126848	98124702	98126850
617	1.5X7	6.5	1 1/2	1 1/2	21 5/8	10 3/4	13 1/2	Magna3 65-150 F	GF 65	1 1/2	13 7/16		98126852		98126854
618	1.5X7	7	1 1/2	2	21 3/8	10 3/4	13 1/2	TPE3 50-180 F	125# ANSI	1 1/2	11		99224017		99224033
619	2X7	6.5	2	2	21 3/8	10	14	Magna3 65-150 F	GF 65	1 1/2	13 7/16	98126816	68126844	98126818	98126846
620	2X7	7	2	3	22 1/4	11 3/8	14	TPE3 50-200 F	125# ANSI	2	11		99224020		99224035
621	1.5x6.25	4.88	1 1/2	1/2	21 5/16	11	13 1/2	Magna3 50-80 F	GF 53	1/3	9 1/2	98126812	98126840	98126814	98126842
622	1.5X7	5.5	1 1/2	3/4	23 5/8	11	13 1/2	Magna3 40-120 F	GF 15/26 or 40/43	1/2	8 1/2	98126804	98126832	98126806	98126834
623	1.5X7	6	1 1/2	1	23 5/8	11	13 1/2	Magna3 40-180 F	GF 15/26 or 40/43	3/4	8 1/2	98126808	98126836	98126810	98126838
624	2X7	5.69	2	1	23 7/8	9 3/4	14	Magna3 65-120 F	GF 53	1	13 7/16	98124696	98126848	98124702	98126850
625	2X7	6.12	2	1 1/2	21 3/8	10 3/4	14	Magna3 65-150 F	GF 65	1 1/2	13 7/16	98126816	68126844	98126818	98126846
626	3x5.25	3.25	3	1/3	20 7/16	10	12	Magna3 50-80 F	GF 53	1/3	9 1/2	98126812	98126840	98126814	98126842
626	3x5.25	3.75	3	1/2	20 7/16	11	12	Magna3 50-150 F	GF 53	3/4	11	98126816	68126844	98126818	98126846
626	3x5.25	4.375	3	3/4	20 7/16	11	12	Magna3 65-120 F	GF 53	1	13 7/16	98124696	98126848	98124702	98126850
627	3x5.25	4.75	3	1	23 3/8	11	12	Magna3 65-120 F	GF 53	1	13 7/16	98124696	98126848	98124702	98126850
627	3x5.25	5.25	3	1 1/2	21 1/8	10 3/4	12	Magna3 65-120 F	GF 53	1	13 7/16	98124696	98126848	98124702	98126850

B&G 60 Series



B&G 60 Series

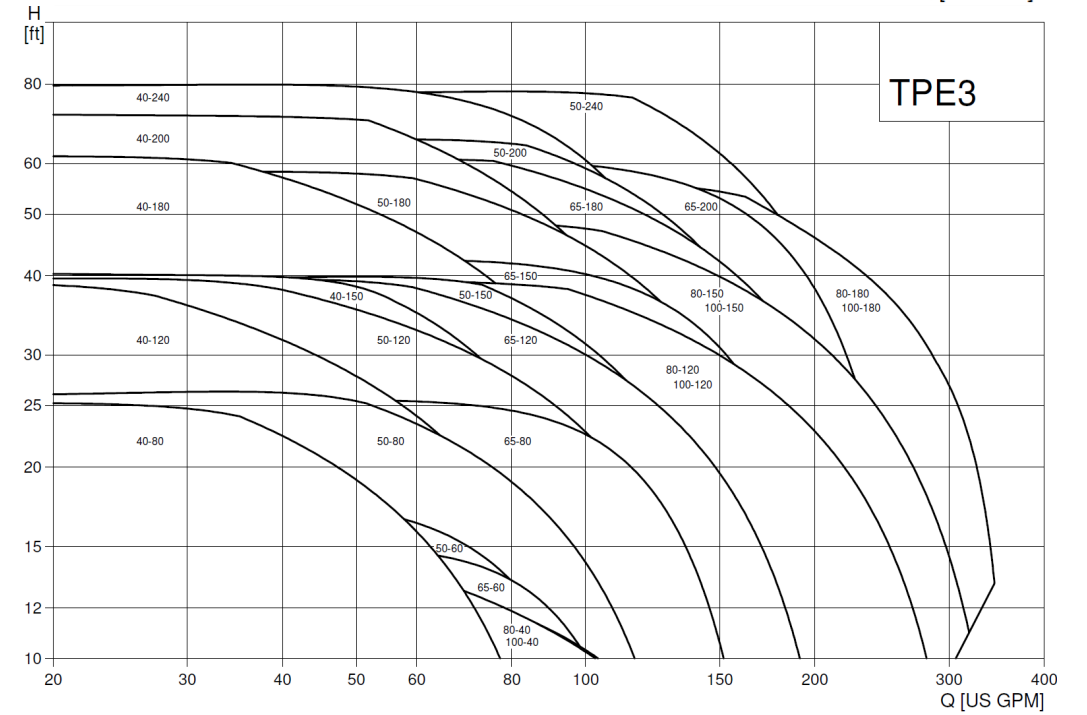
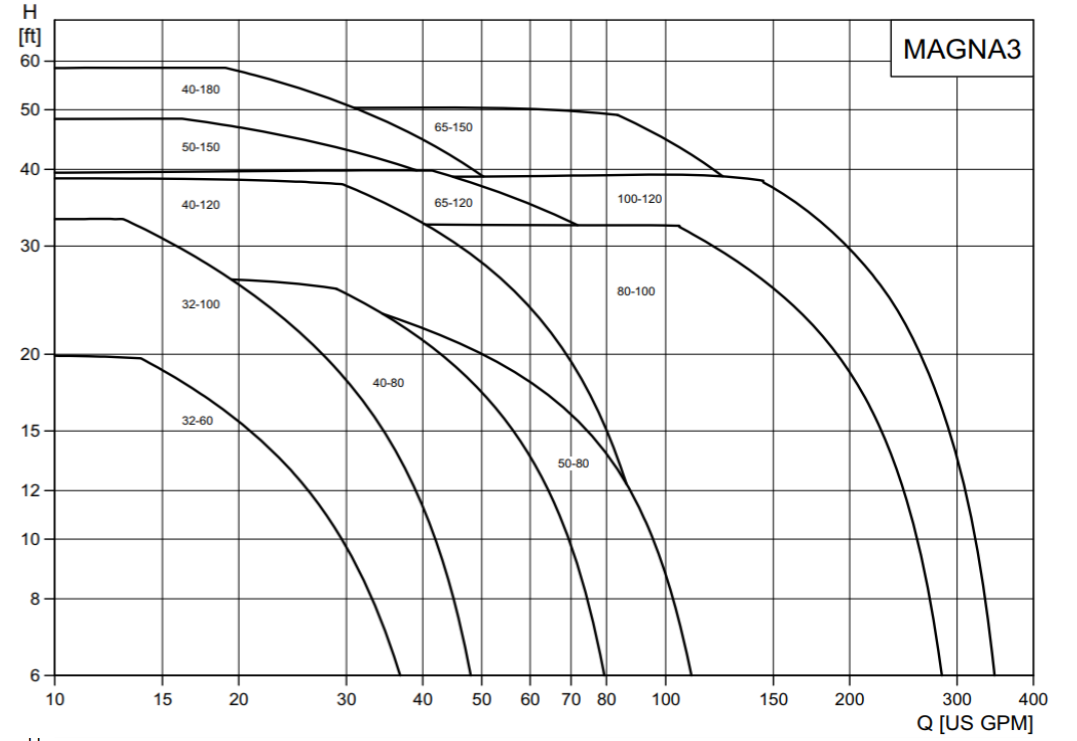


Grundfos Offering

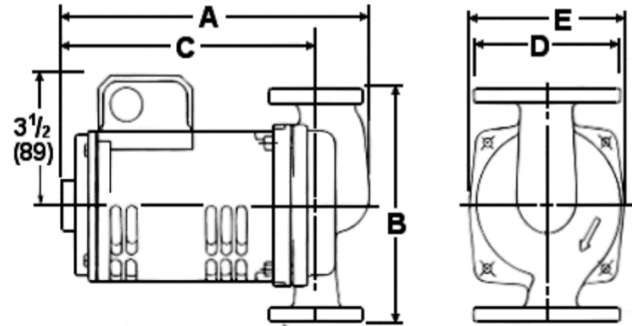


URELL

Grundfos



Standard B&G PL Series to Grundfos Efficient Option



Industry Leading Technology
 Maintenance Free Wet-Rotor Construction
 Integrated Speed Control and Self-Sizing Logic
 Built-in motor protection and Start/Stop contact
 High Efficiency ECM motor
 Whisper Quiet Operation

URELL



Additional Features:

- Lifecycle Savings - Reduces Energy Consumption by up to 85%
- Easy Installation - Pump "Right Sizes" for Most Applications
- Maintenance Free - Reliable for Decades of Efficient Operation
- In-Stock Locally - Standard Shelf Product
- Compact - Makes Replacement Easy with a Spool Piece

B&G PL Series						Grundfos				Grundfos crossover voltage options			
Model	Flange Size in	Motor Power HP	Pump Dimensions			MAGNA3 Model	GF Flange Flange	Motor Power HP	Flange to Flange in	Cast Iron		Stainless Steel	
			A	B	C					1x115V Material #	1x230V Material #	1x115V Material #	1x230V Material #
PL-30	1 1/4	1/12	8 5/8	6 3/8	7 1/8	Magna3 32-60 F	GF 15/26	1/8	6 1/2	98126820	98126820	98126822	98126822
PL-36	1 1/4	1/6	8 5/8	6 3/8	7 1/8	Magna3 32-100 F	GF 15/26	1/6	6 1/2	98126824	98126824	98126826	98126826
PL-45	1 1/4	1/6	9 1/8	8 1/2	7 1/4	Magna3 32-100 F	GF 15/26	1/6	6 1/2	98126824	98126824	98126826	98126826
PL-50	1 1/4	1/6	9 1/8	8 1/2	7 1/4	Magna3 32-100 F	GF 15/26	1/6	6 1/2	98126824	98126824	98126826	98126826
PL-55	1 1/4	2/5	9 9/16	6 3/8	7 15/16	Magna3 40-120 F	GF 15/26 or 40/43	1/2	8 1/2	98126804	98126832	98126806	98126834
PL-75	2	1/6	9 15/16	8 1/2	7 3/8	Magna3 40-80 F	GF 15/26 or 40/43	1/3	8 1/2	98126800	98126828	98126802	98126830
PL-130/2	2	2/5	10 3/4	8 1/2	8 1/4	Magna3 50-80 F	GF 53	1/2	9 1/2	98126812	98126840	98126814	98126842
PL-130/3	3	2/5	10 3/4	8 1/2	8 1/4	Magna3 50-80 F	GF 53	1/2	9 1/2	98126812	98126840	98126814	98126842

B&G PL Series



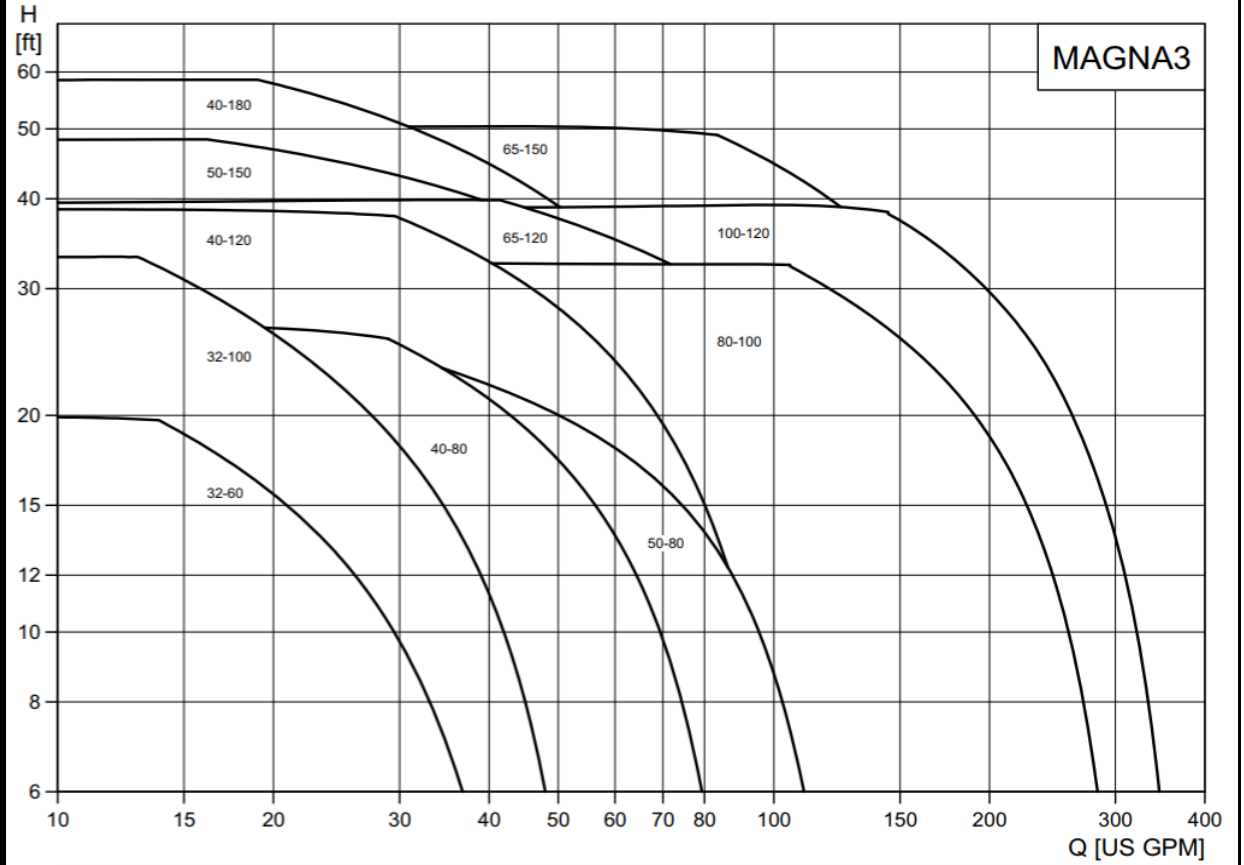
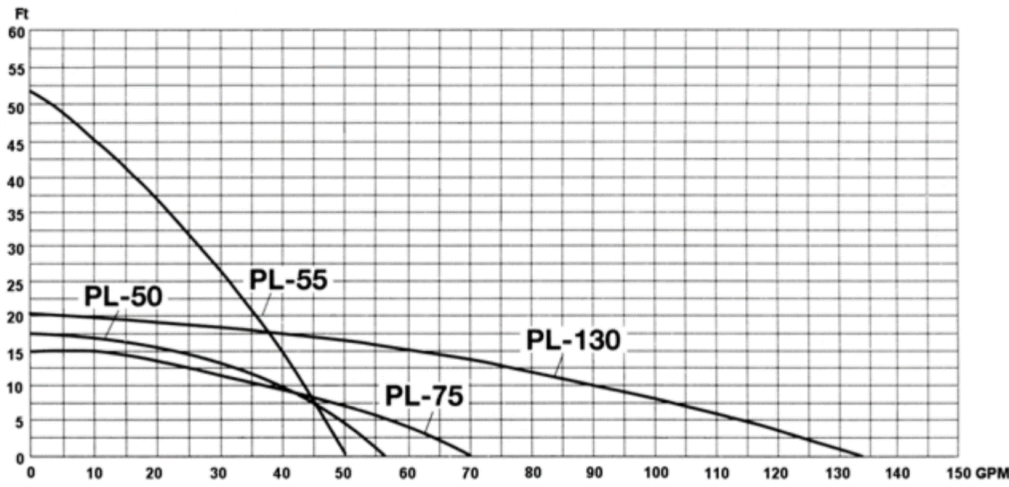
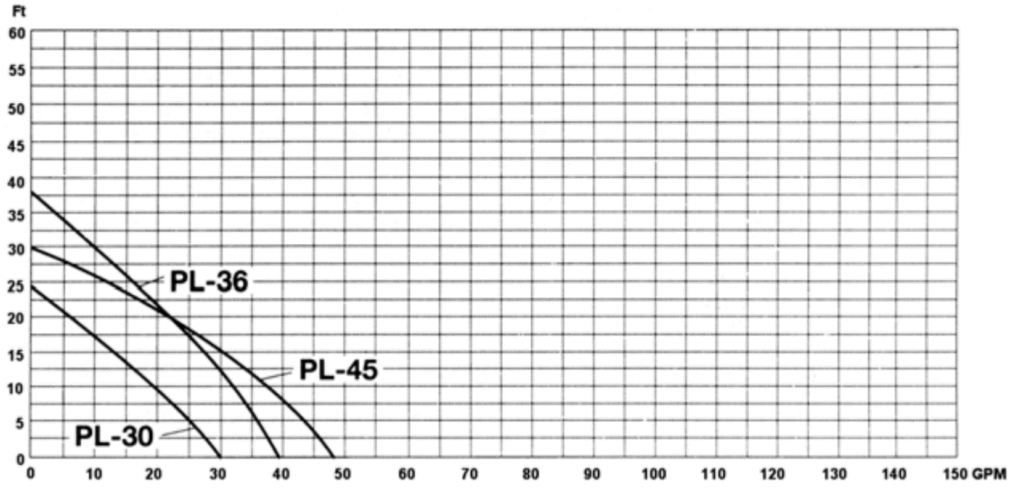
Grundfos Offering



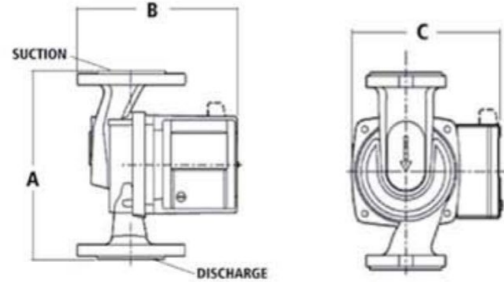
URELL

B&G PL Series

Grundfos



B&G NRF Series to Grundfos Efficient Option



Industry Leading Technology
 Maintenance Free Wet-Rotor Construction
 Integrated Speed Control and Self-Sizing Logic
 High Efficiency ECM motor
 Whisper Quiet Operation

URELL



Additional Features:

Lifecycle Savings - Reduces Energy Consumption by up to 85%

Easy Installation - Pump "Right Sizes" for Most Applications

Maintenance Free - Reliable for Decades of Efficient Operation

In-Stock Locally - Standard Shelf Product

Compact - Makes Replacement Easy with a Spool Piece

B&G NRF Series						Grundfos				Grundfos crossover voltage options			
Model	Flange Size in	Motor Power HP	Pump Dimensions			Alpha2 / MAGNA3 Model	GF Flange Flange	Motor Power HP	Flange to Flange in	Cast Iron		Stainless Steel	
			A	B	C					1x115V Material #	1x230V Material #	1x115V Material #	1x230V Material #
NRF-9F	2 bolt	1/40	6 3/8	6 3/16	5 1/8	Alpha2 15-55 F	GF 15/26	1/16	6 1/2	99163903		99163937	
NRF-22	2 bolt	1/35	6 3/8	6 3/16	5 1/8	Alpha2 15-55 F	GF 15/26	1/16	6 1/2	99163903		99163937	
NRF-25	2 bolt	1/40	6 3/8	6 3/16	5 1/8	Alpha2 15-55 F	GF 15/26	1/16	6 1/2	99163903		99163937	
NRF-33	2 bolt	1/40	6 3/8	5 9/16	4 7/8	Magna3 32-60 F	GF 15/26	1/8	6 1/2	98126820	98126820	98126822	98126822
NRF-36	2 bolt	1/25	6 3/8	6 7/8	5 3/4	Magna3 32-100 F	GF 15/26	1/6	6 1/2	98126824	98126824	98126826	98126826
NRF-45	2 bolt	1/25	8 1/2	7 3/8	5 3/4	Magna3 32-100 F	GF 15/26	1/6	6 1/2	98126824	98126824	98126826	98126826

B&G NRF Series



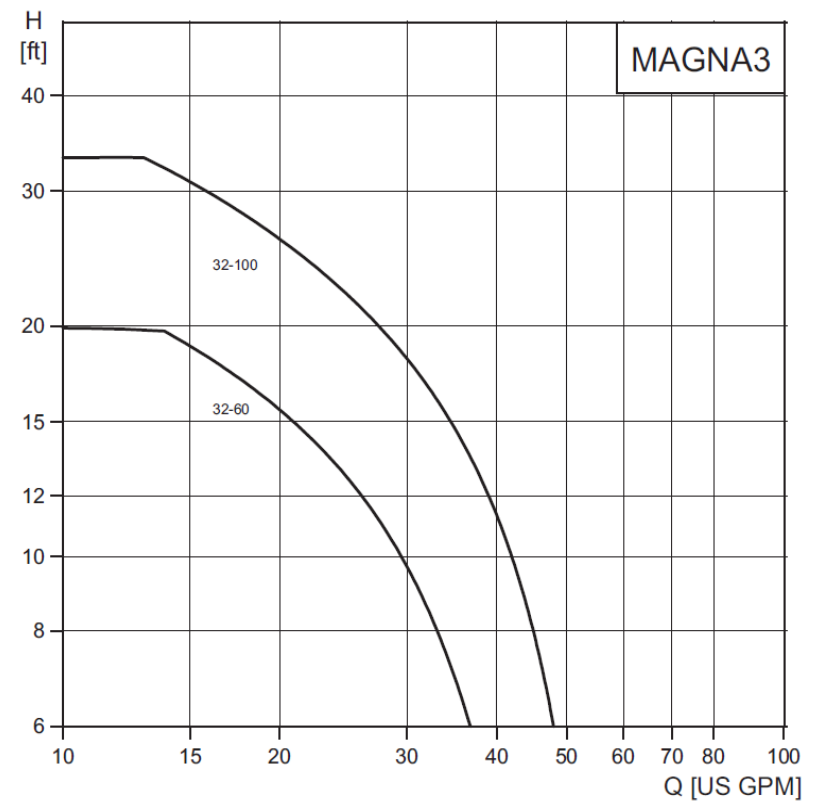
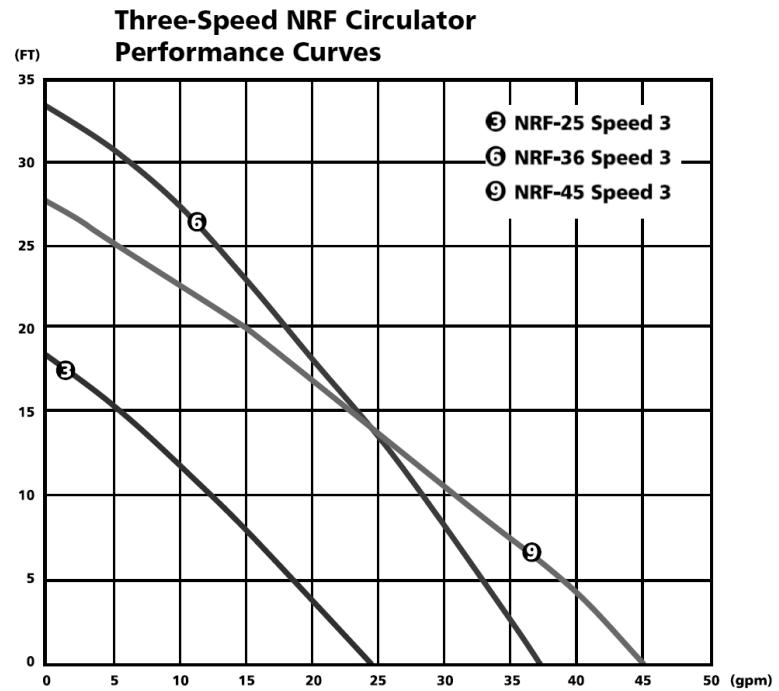
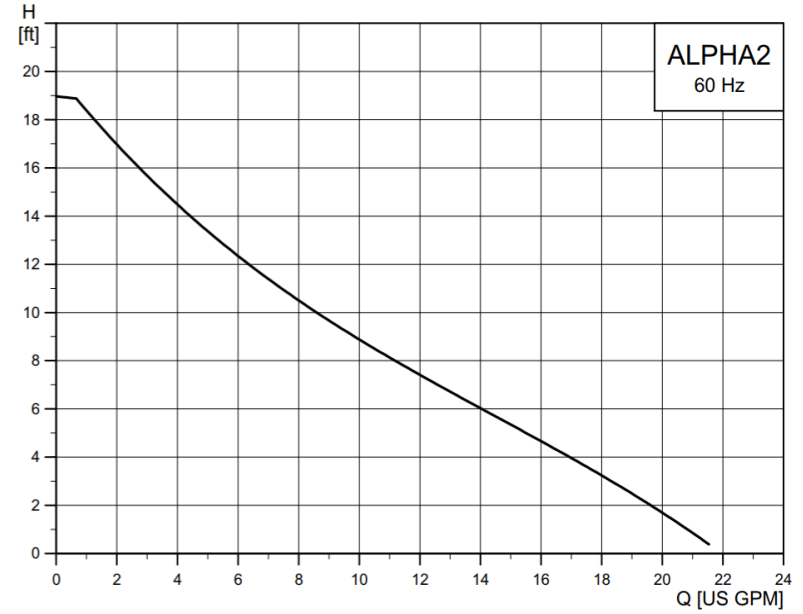
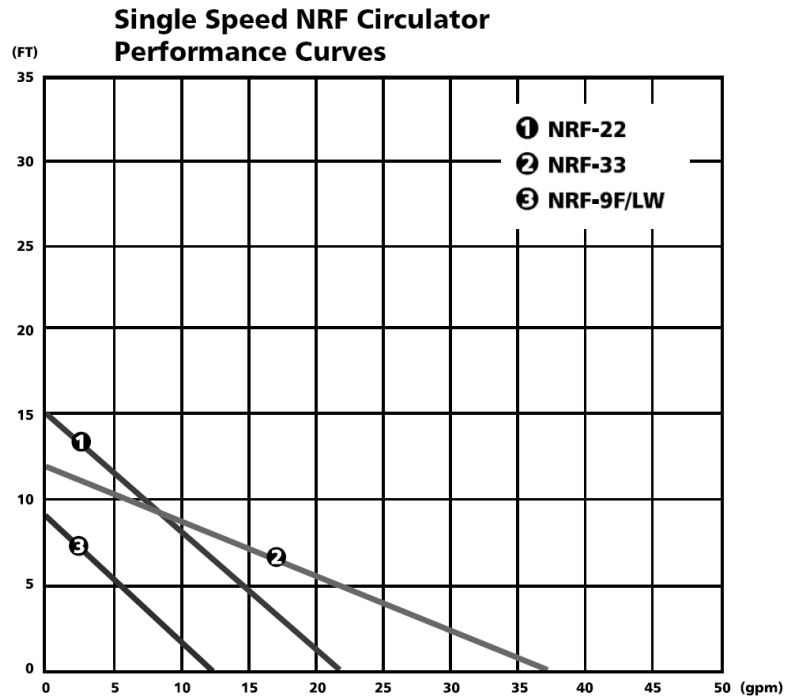
Grundfos Offering



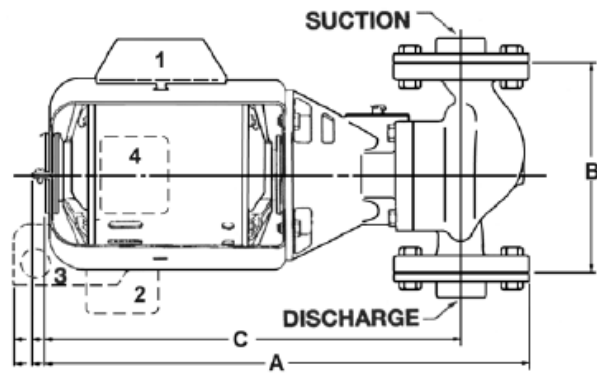
URELL

B&G NRF Series

Grundfos



B&G 3-Piece Pumps to Grundfos Efficient Option



Industry Leading Technology
 Maintenance Free Wet-Rotor Construction
 Integrated Speed Control and Self-Sizing Logic
 Built-in motor protection and Start/Stop contact
 High Efficiency ECM motor
 Whisper Quiet Operation

URELL



Additional Features:

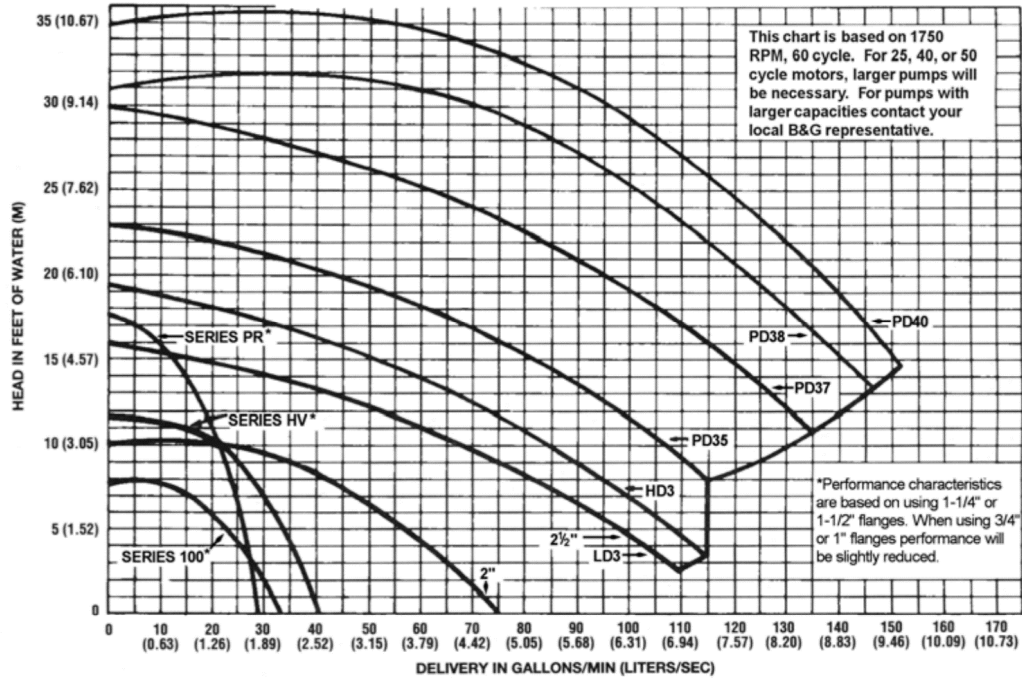
- Lifecycle Savings - Reduces Energy Consumption by up to 85%
- Easy Installation - Pump "Right Sizes" for Most Applications
- Maintenance Free - Reliable for Decades of Efficient Operation
- In-Stock Locally - Standard Shelf Product
- Compact - Makes Replacement Easy with a Spool Piece

B&G 3-Piece Pumps						Grundfos				Grundfos crossover voltage options			
Model	Flange Size in	Motor Power HP	Pump Dimensions			MAGNA3 Model	GF Flange Flange	Motor Power HP	Flange to Flange in	Cast Iron		Stainless Steel	
			A	B	C					1x115V Material #	1x230V Material #	1x115V Material #	1x230V Material #
100	1 1/4	1/12	14 7/8	6 3/8	12 3/4	Magna3 32-60 F	GF 15/26	1/8	6 1/2	98126820	98126820	98126822	98126822
PR	1 1/4	1/6	15 1/4	8 1/2	12 3/4	Magna3 32-60 F	GF 15/26	1/8	6 1/2	98126820	98126820	98126822	98126822
HV	1 1/4	1/6	15 3/8	8 1/2	13	Magna3 32-60 F	GF 15/26	1/8	6 1/2	98126820	98126820	98126822	98126822
2	2	1/6	16 5/8	8 1/2	14	Magna3 40-80	GF 15/26 or 40/43	1/3	8 1/2	98126800	98126828	98126802	98126830
2.5	2 1/2	1/4	17 1/4	10	14	Magna3 50-80 F	GF 53	1/3	9 1/2	98126812	98126840	98126814	98126842
LD3	3	1/4	17 1/4	10	14	Magna3 50-80 F	GF 53	1/3	9 1/2	98126812	98126840	98126814	98126842
HD3	3	1/3	17 1/2	10	14 1/4	Magna3 50-80 F	GF 53	1/3	9 1/2	98126812	98126840	98126814	98126842
PD-35	3	1/2	20 1/4	12	16 7/8	Magna3 50-80 F	GF 53	1/3	9 1/2	98126812	98126840	98126814	98126842
PD-37	3	3/4	20 1/4	12	16 7/8	Magna3 50-150 F	GF 53	3/4	11	98126816	68126844	98126818	98126846
PD-38	3	1	22 11/16	14 1/2	18 15/16	Magna3 65-120 F	GF 53	1	13 7/16	98124696	98126848	98124702	98126850
PD-40	3	1 1/2	24 3/4	14 1/2	21	Magna3 65-120 F	GF 53	1	13 7/16	98124696	98126848	98124702	98126850

B&G 3-Piece Series



B&G 3-Piece Series

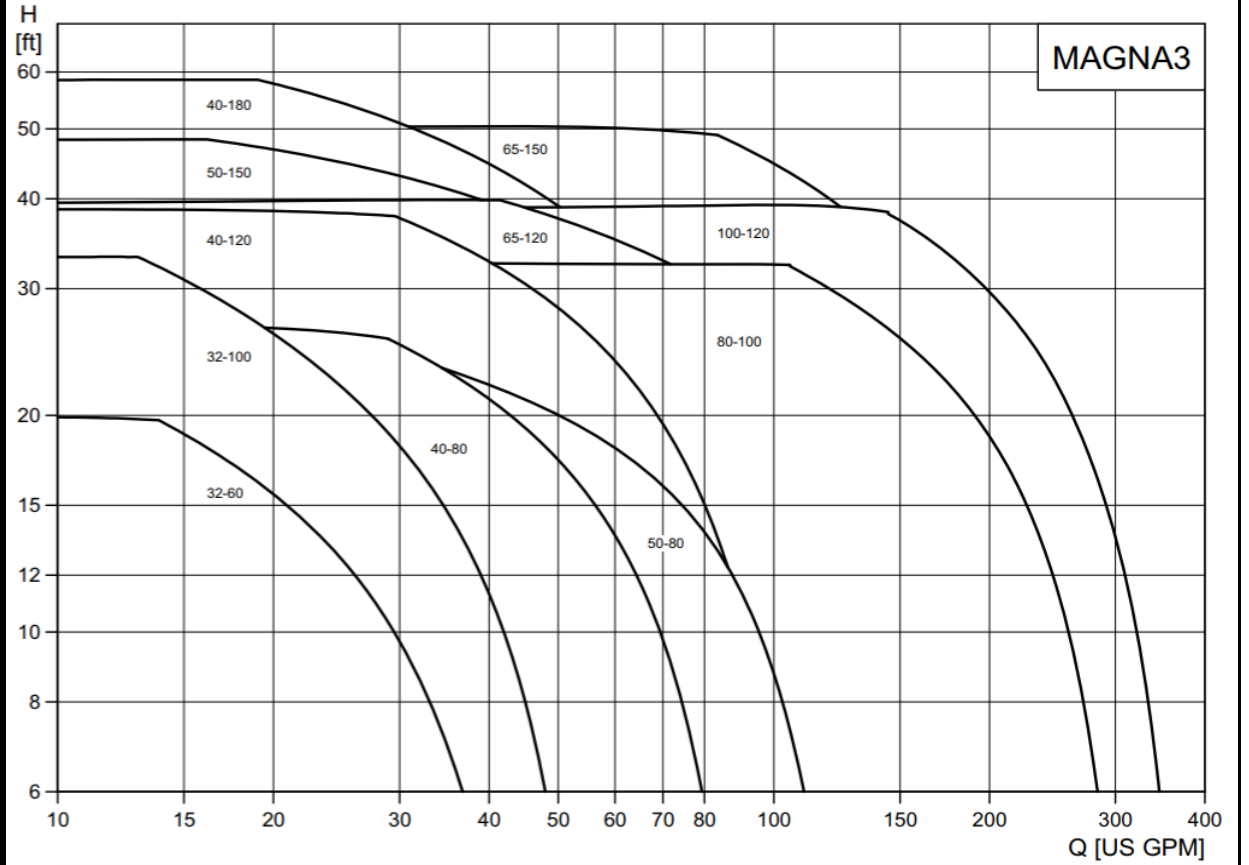


Grundfos Offering

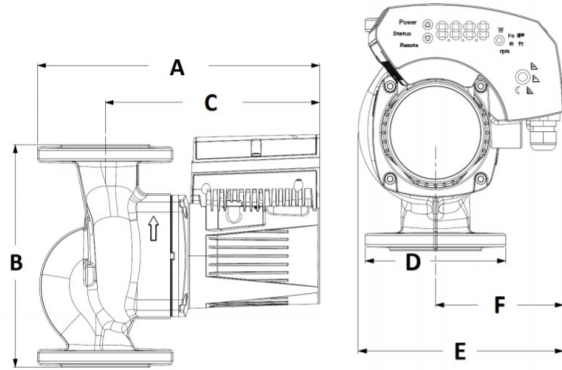


URELL

Grundfos



B&G Ecocirc XL Series to Grundfos Efficient Option



Industry Leading Technology
 Integrated Speed Control and Self-Sizing Logic
 Built-in motor protection and Start/Stop contact
 High Efficiency ECM motor
 Whisper Quiet Operation



Additional Features:

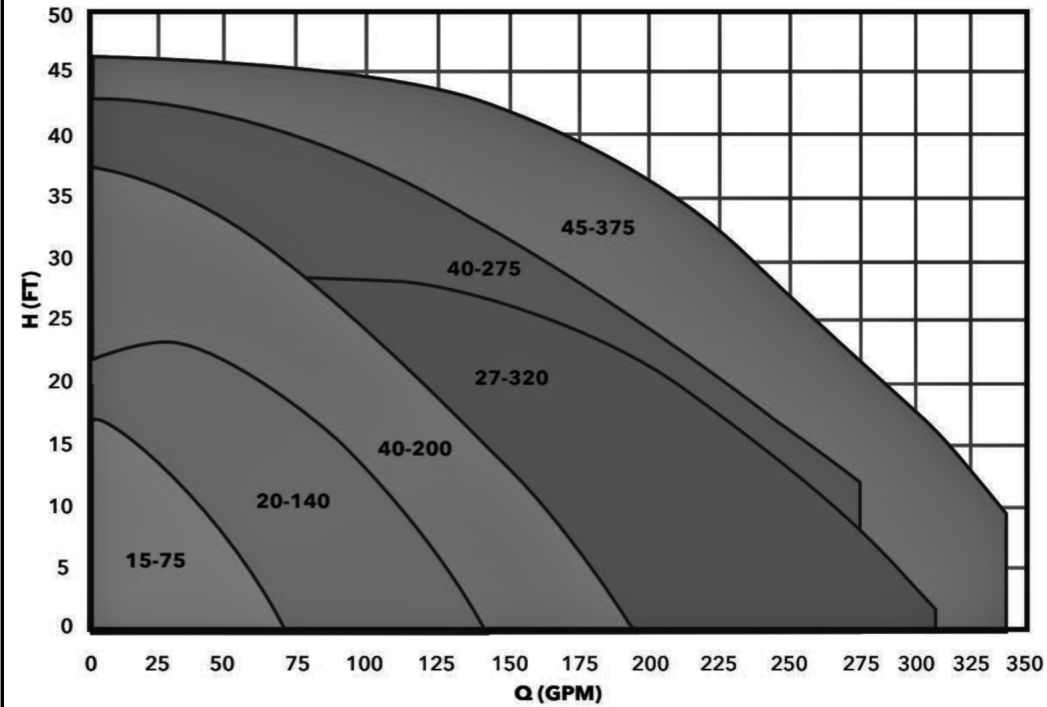
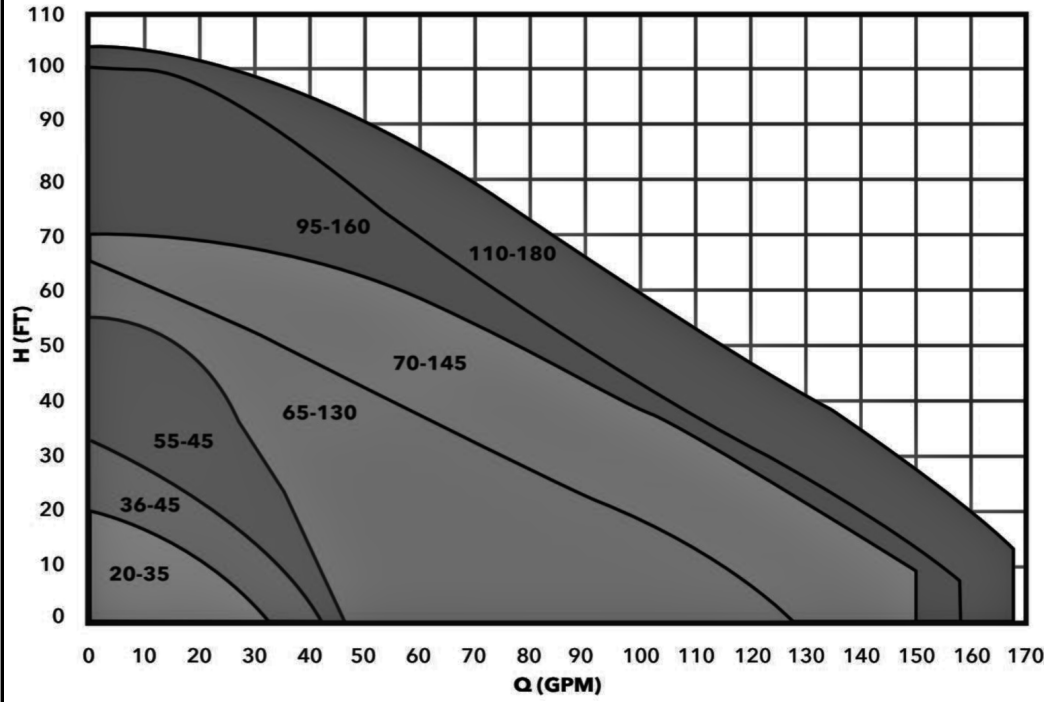
- Lifecycle Savings - Reduces Energy Consumption by up to 85%
- Easy Installation - Pump "Right Sizes" for Most Applications
- Low Maintenance - Reliable for Decades of Efficient Operation
- In-Stock Locally - Standard Shelf Product
- Compact - Makes Replacement Easy with a Spool Piece

B&G Ecocirc XL Series						Grundfos				Grundfos crossover voltage options					
Model	Flange Size in	Motor Power HP	Pump Dimensions			MAGNA3 / TPE3 Model	GF Flange Flange	Motor Power HP	Flange to Flange in	Cast Iron			Stainless Steel		
			A	B	C					1x115V Material #	1x230V Material #	3x460V Material #	1x115V Material #	1x230V Material #	3x460V Material #
20-35	1	1/12	9 15/16	6 6/16	8 3/16	Magna3 32-60 F	GF 15/26	1/8	6 1/2	98126820	98126820		98126822	98126822	
36-45	1	1/6	9 15/16	6 6/16	8 3/16	Magna3 32-100 F	GF 15/26	1/6	6 1/2	98126824	98126824		98126826	98126826	
15-75	1	1/6	11 1/16	8 8/16	8 6/16	Magna3 32-100 F	GF 15/26	1/6	6 1/2	98126824	98126824		98126826	98126826	
55-45	1 1/4	1/2	11 14/16	6 6/16	10 3/16	Magna3 40-180 F	GF 15/26 or 40/43	3/4	8 1/2	98126808	98126836		98126810	98126838	
20-140	1 1/4	1/2	13 6/16	11 8/16	10 6/16	Magna3 50-150 F	GF 53	3/4	11	98126816	68126844		98126818	98126846	
65-130	1 1/4	1	14 13/16	11 8/16	11 13/16	TPE3 40-180 F	125# ANSI	1	9 13/16		99223931	99223965		99223948	99223981
40-200	1 1/2	1	15 3/16	11 8/16	11 13/16	Magna3 65-120 F	GF 53	1	13 7/16	98124696	98126848		98124702	98126850	
70-145	1 1/2	2	14 13/16	11 8/16	11 13/16	TPE3 40-180 F	125# ANSI	1 1/2	9 13/16		99223931	99223965		99223948	99223981
40-275	1 1/2	2	16 1/16	12	12 10/16	TPE3 80-120 F	125# ANSI	1 1/2	14 3/16		99224180	99224186		99224181	99224187
65-130	1 1/2	1	14 15/16	11 8/16	11 14/16	TPE3 40-180 F	125# ANSI	1 1/2	9 13/16		99223931	99223965		99223948	99223981
40-200	2	1	15 4/16	11 8/16	11 14/16	Magna3 65-120 F	GF 53	1	13 7/16	98124696	98126848		98124702	98126850	
95-160	2	2	14 7/16	11 8/16	11 6/16	TPE3 40-240 F	125# ANSI	2	9 13/16		99223937	99223970		99223954	99223986
27-320	2	2	15 4/16	14 3/16	11 13/16	Magna3 100-120 F	GF 100	2	17 3/4		98126860			98126862	
110-180	2	3	14 7/16	11 8/16	11 6/16	TPE3 50-240 F	125# ANSI	3	11			99224046			99224065
45-375	1 1/2	3	16 2/16	14 3/16	12 11/16	TPE3 80-150 F	125# ANSI	3	14 3/16		99224182	99224188		99224183	99224189

B&G Ecocirc XL Series



B&G Ecocirc XL Series

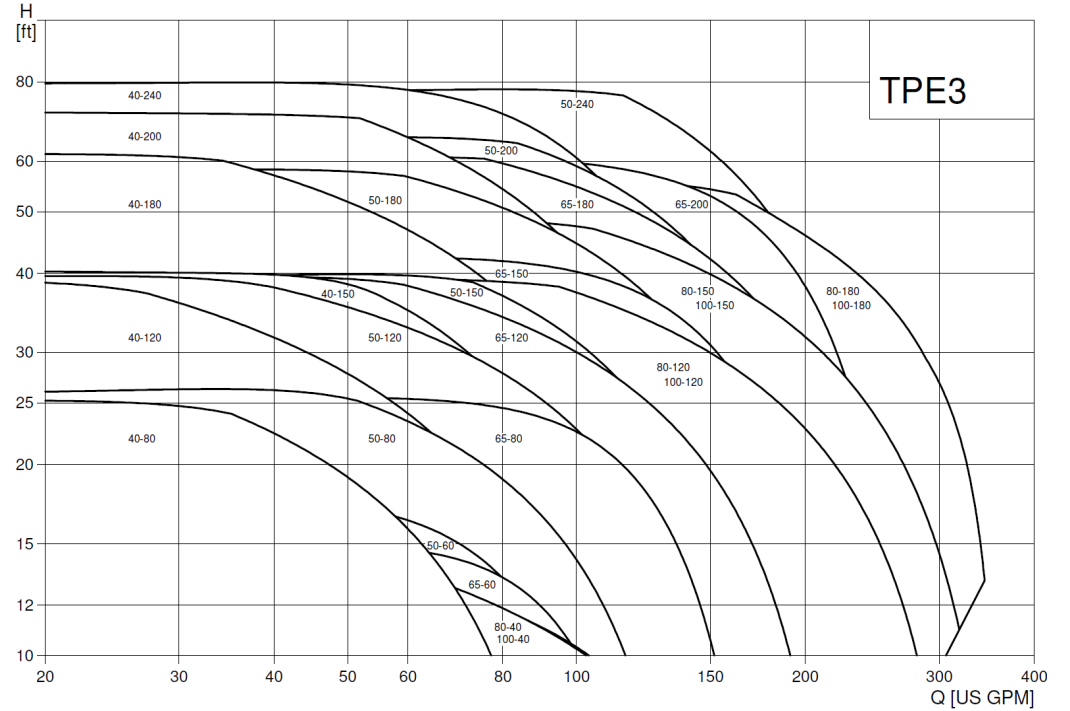
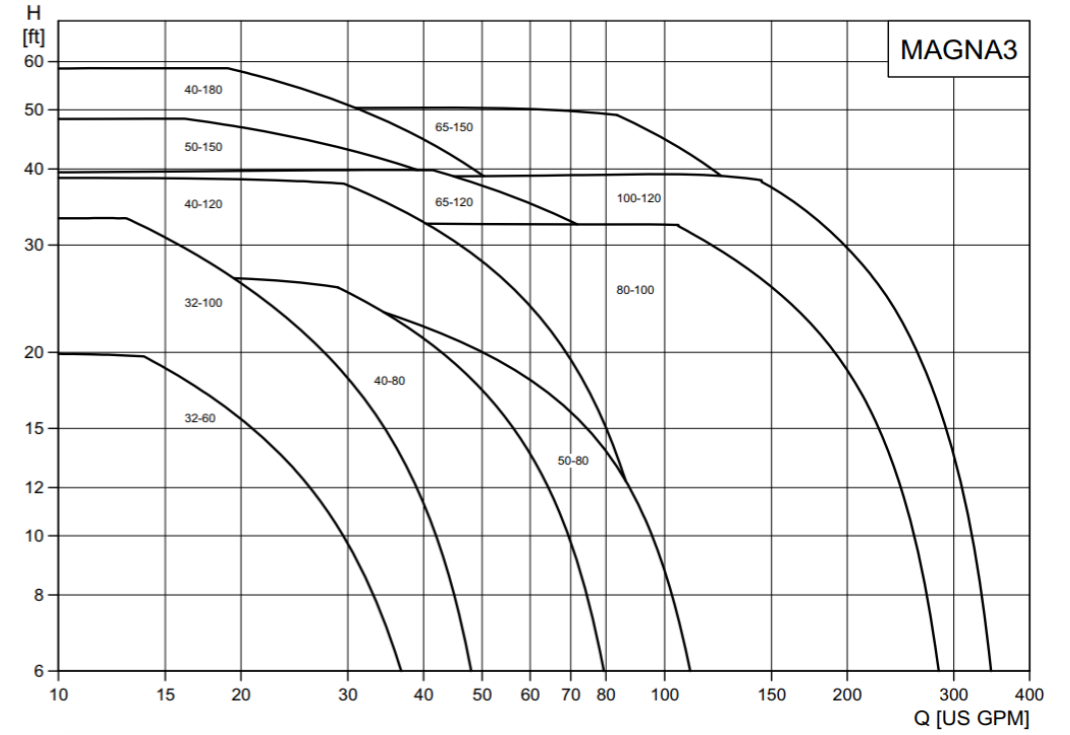


Grundfos Offering

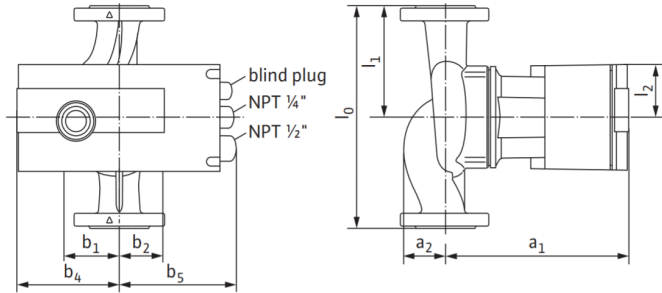


URELL

Grundfos



Wilco Stratos to Grundfos Efficient Option



Industry Leading Technology
 Maintenance Free Wet-Rotor Construction
 Integrated Speed Control and Self-Sizing Logic
 High Efficiency ECM motor
 Whisper Quiet Operation

URELL



Additional Features:

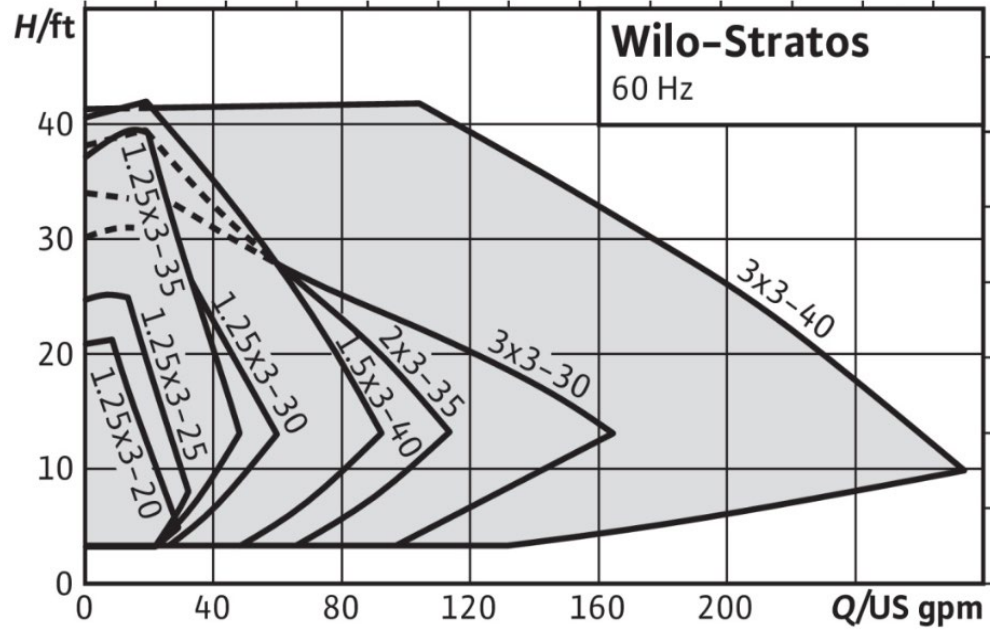
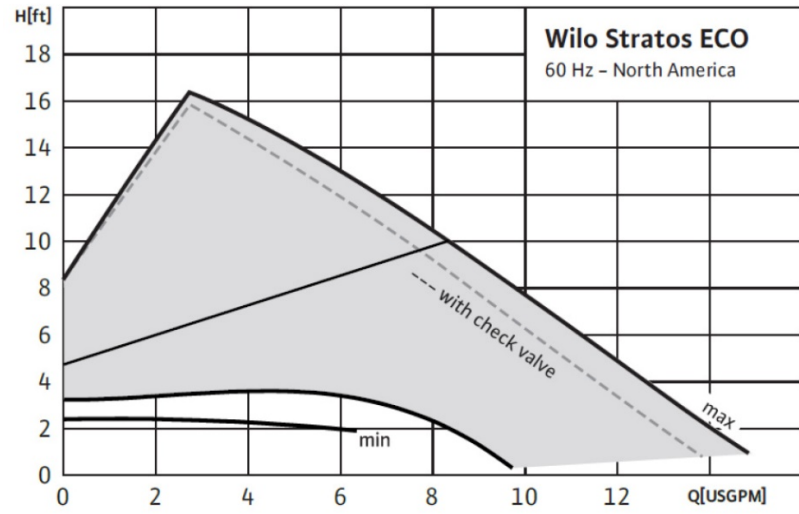
- Lifecycle Savings - Reduces Energy Consumption by up to 85%
- Easy Installation - Pump "Right Sizes" for Most Applications
- Maintenance Free - Reliable for Decades of Efficient Operation
- In-Stock Locally - Standard Shelf Product
- Compact - Makes Replacement Easy with a Spool Piece

Wilco Stratos Series						Grundfos				Grundfos crossover voltage options			
Model	Flange Size	Motor Power	Pump Dimensions			Alpha2 / MAGNA3 Model	GF Flange	Motor Power	Flange to Flange	Cast Iron		Stainless Steel	
			l _o	a + a	a					1x115V	1x230V	1x115V	1x230V
	in	HP						in	Material #	Material #	Material #	Material #	
ECO 16	2 bolt	1/4	6 1/2	6 3/8	12 3/4	Alpha2 15-55	GF 15/26	1/16	6 1/2	99163903		99163937	
1.25x3-20	2	1/6	6 1/2	8 7/8	7 3/16	Magna3 32-60 F	GF 15/26	1/8	6 1/2	98126820	98126820	98126822	98126822
1.25x3-25	2	1/6	6 1/2	8 7/8	7 3/16	Magna3 32-100 F	GF 15/26	1/3	6 1/2	98126824	98126824	98126826	98126826
1.25x3-30	2	1/4	8 1/2	9 15/16	8 1/16	Magna3 40-80	GF 15/26 or 40/43	1/3	8 1/2	98126800	98126828	98126802	98126830
1.25x3-35	2	1/4	8 1/2	9 7/8	7 15/16	Magna3 40-120 F	GF 15/26 or 40/43	1/2	8 1/2	98126804	98126832	98126806	98126834
1.5x3-40	2	1/3	10	12 3/8	9 15/16	Magna3 40-120 F	GF 15/26 or 40/43	1/2	8 1/2	98126804	98126832	98126806	98126834
2x3-35	2	1/2	11	13	10 1/16	Magna3 50-150 F	GF 53	3/4	11	98126816	68126844	98126818	98126846
3x3-30	2	3/4	14	16 1/4	12 13/16	Magna3 65-120 F	GF 53	1	13 7/16	98124696	98126848	98124702	98126850
4x3-40	2	1	14	16 1/2	12 15/16	Magna3 100-120 F	GF 100	2	17 18/25		98126860		98126862

Wilo Stratos Series



Wilo Stratos Series



Grundfos Offering



URELL

Grundfos

